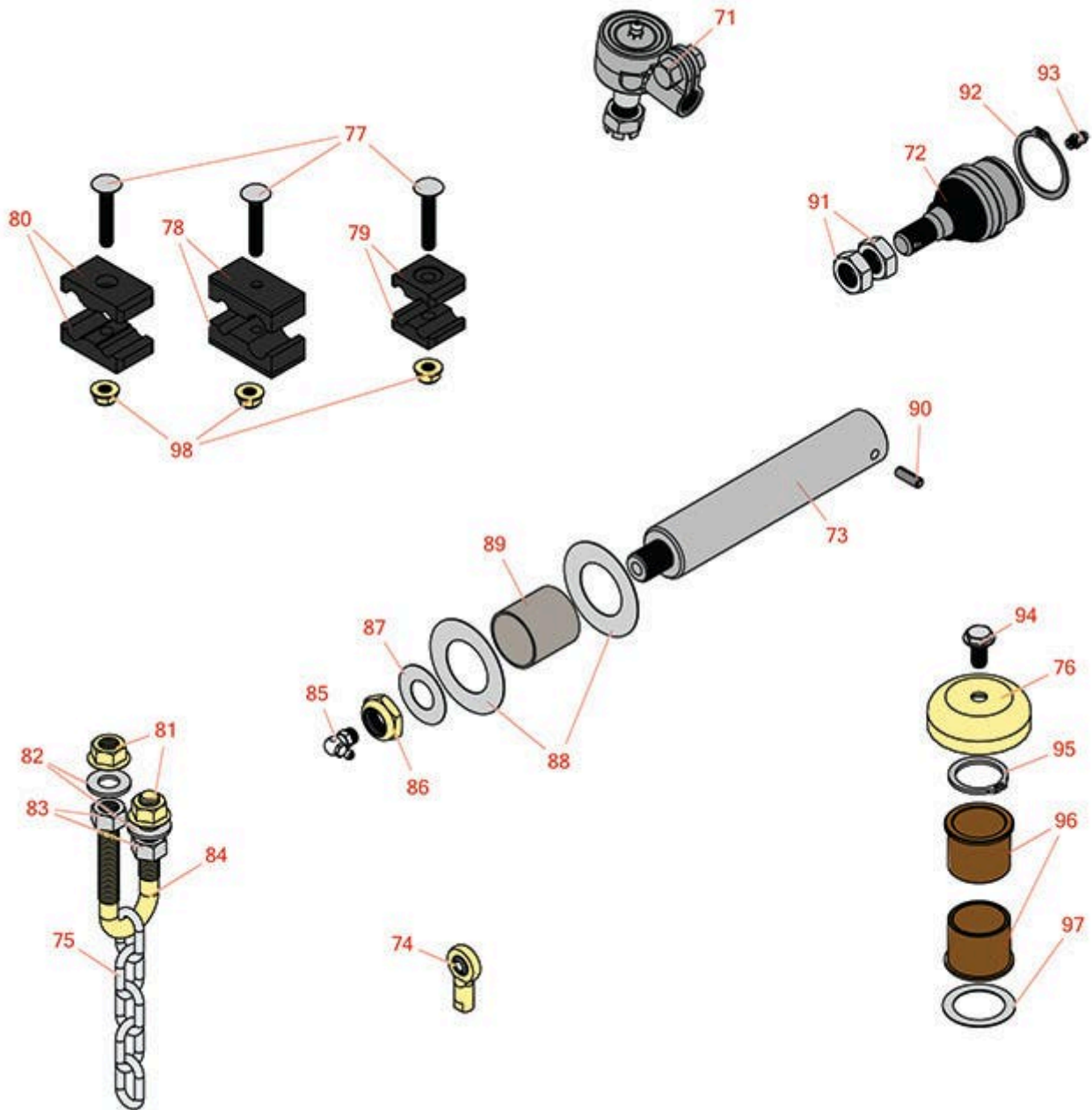




# Replaces Toro Groundsmaster 3200

## Parts

*Traction Unit - 2WD Model 31900 & 4WD31901  
Frame*



All original equipment manufacturers names and part numbers are used for identification purposes only, and we are in no way implying that our products are original equipment parts. Prices subject to change without notice.



# Replaces Toro Groundsmaster 3200 Parts

*Traction Unit - 2WD Model 31900 & 4WD31901  
Frame*



Item No	R&R Part No.	OEM Part No.	Description	Qty Req	Order Quantity
---------	--------------	--------------	-------------	---------	----------------

## **Other Parts Available**

71	<b>R106-6895-03</b>	106-6895-03, 69-9810, 69-9810-03	Ball Joint Assy	1	
72	<b>R106-6774</b>	106-6774, 92-5838, 92-5838-01	Ball Joint	1	
73	<b>R140-6101</b>	140-6101, 98-8173, 98-8173-03	Pivot Pin - Rear Lift Arm	1	
74	<b>R2411-41</b>	2411-41	Rod End - Ball Joint	2	
75	<b>R95-6231</b>	95-6231	Chain - HOC	2	
76	<b>R69-8890</b>	69-8890	Cap-Spindle	2	
77	<b>R441674</b>	01-173-0514, 01-173-0516, 3-7253, 3230-5	Screw - 5/16-18 x 1-3/4 Carriage	6	
78	<b>R56-7970</b>	56-7970	Plastic Clamp	2	
79	<b>R56-7973</b>	56-7973	Clamp - Tube	2	
80	<b>R56-7972</b>	56-7972	Clamp - Tube	8	
81	<b>R32128-23</b>	32128-23, 3218-23, 99-5107	Nut - Lock Hex Flanged 1/2-13	4	
82	<b>R3256-26</b>	01-166-0540, 01-166-0820, 17-2530, 24-13-BD, 30-8570, 3256-26, 356206, 48-9390	Washer - 1/2 in	4	

All original equipment manufacturers names and part numbers are used for identification purposes only, and we are in no way implying that our products are original equipment parts. Prices subject to change without notice.



# Replaces Toro Groundsmaster 3200 Parts

*Traction Unit - 2WD Model 31900 & 4WD31901  
Frame*



Item No	R&R Part No.	OEM Part No.	Description	Qty Req	Order Quantity
83	<b>R443818</b>	01-191-0813, 3218-18, 3218-5, 3248-18	Nut - 1/2-13 Hex Jam Zinc	4	
84	<b>R104-0108</b>	104-0108	U-Bolt	2	
85	<b>R323016</b>	302-33, 323016	Zerk - Grease	1	
86	<b>R3296-15</b>	116-7306, 32118-5, 32127-23, 32127-47, 3296-15	Locknut - 3/4-16 Nylon Jam	1	
87	<b>R71-4540</b>	71-4540	Washer - Thrust	1	
88	<b>R99-8432</b>	99-8432	Washer - Thrust	2	
89	<b>R99-6964</b>	99-6964	Bushing - Axle	1	
90	<b>R32121-32</b>	01-153-0180, 32121-32	Pin - Roll 1/4 x 1-3/4	1	
91	<b>R443828</b>	01-191-1018, 3214, 3220-6, 443828, 915089P	Nut - 5/8-18 Hex	2	
92	<b>R32151-104</b>	32151-104	Ring - Retaining, Ex	1	

All original equipment manufacturers names and part numbers are used for identification purposes only, and we are in no way implying that our products are original equipment parts. Prices subject to change without notice.



# Replaces Toro Groundsmaster 3200 Parts

*Traction Unit - 2WD Model 31900 & 4WD31901  
Frame*



Item No	R&R Part No.	OEM Part No.	Description	Qty Req	Order Quantity
93	<b>R302-5</b>	21-6010, 302-11, 302-37, 302-47, 302-5, 302-57, 302-58, 302-6, 31-0300, 32-9660, 60-0800, 62-3880, 92-4181	Fitting - Grease	1	
94	<b>R3234-1</b>	321-11, 3234-1	Bolt - Flanged Serrated Hex HD 3/8-16 x 3/4	2	
95	<b>R32151-77</b>	32151-77	Ring - Retaining	2	
96	<b>R104-0015</b>	104-0015, 104-8339	Bushing - Flanged	4	
97	<b>R76-2980</b>	76-2980	Washer - Thrust	2	
98	<b>R104-8300</b>	104-8300, 104-8300 , 119-4041	Locknut - 5/16-18 Flanged Y/Zinc	6	

All original equipment manufacturers names and part numbers are used for identification purposes only, and we are in no way implying that our products are original equipment parts. Prices subject to change without notice.