

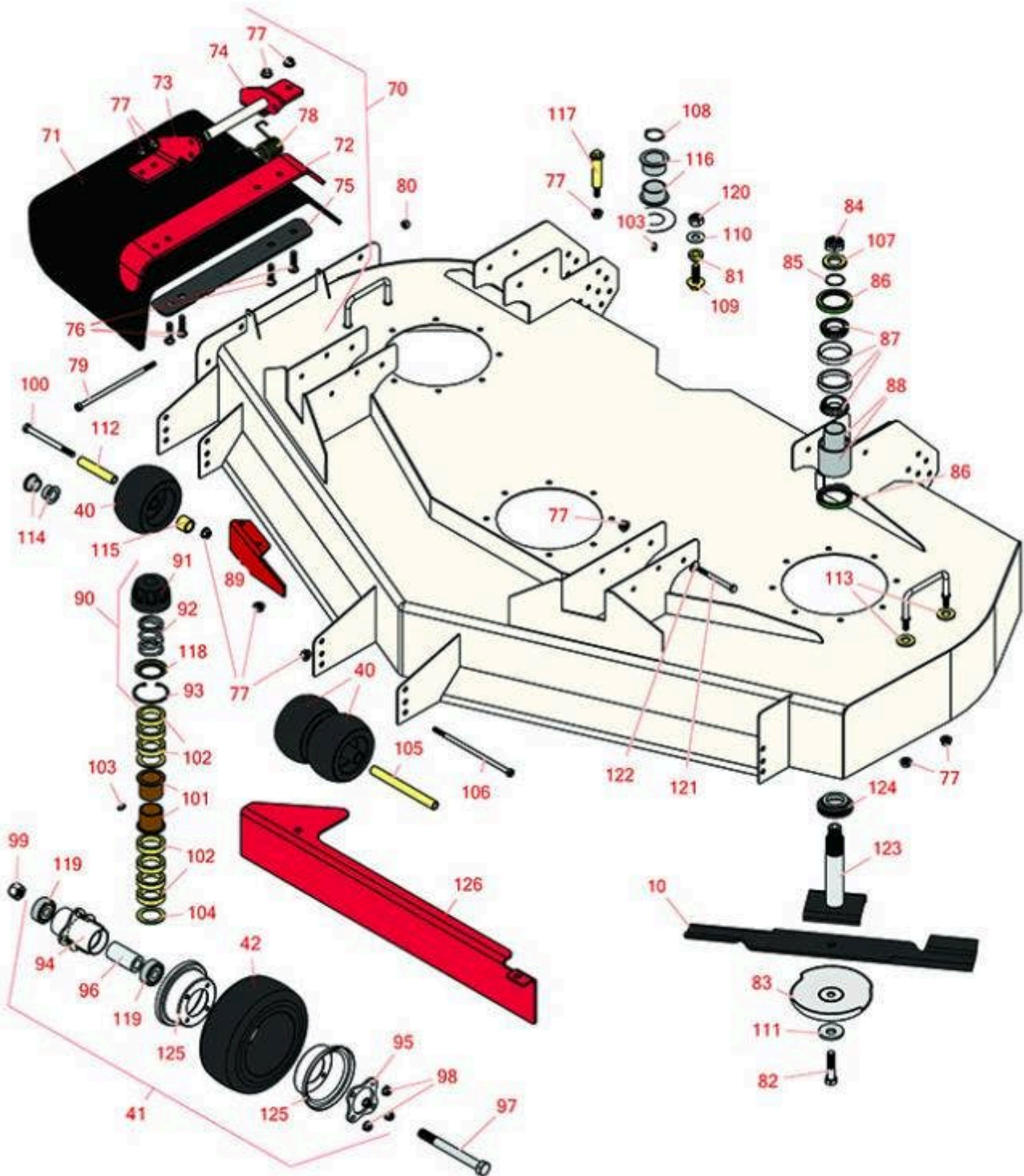


# Replaces Toro Groundsmaster 3200

## Parts

Rotary Decks

60in Rotary Deck - Model 31970



All original equipment manufacturers names and part numbers are used for identification purposes only, and we are in no way implying that our products are original equipment parts. Prices subject to change without notice.



# Replaces Toro Groundsmaster 3200

## Parts

Rotary Decks

60in Rotary Deck - Model 31970



Item No	R&R Part No.	OEM Part No.	Description	Qty Req	Order Quantity
<b>Blades</b>					
10	<b>R110-4702-03</b>	110-4702-03	Mower Blade - High Lift 20.5	3	
<b>Wheels</b>					
40	<b>R68-2730</b>	1-603299, 68-2730	Wheel - Anti Scalp	3	
41	<b>R137-5529</b>	137-5529, 93-5974, 93-9574, 137-5529	Wheel Assy - Foam Filled 8x3.5-4SM	2	
42	<b>R150615</b>	136-4424, 137-5924	Tire - Foam Filled 8-3.5 x 4 Sm 4 Ply	2	
<b>Other Parts Available</b>					
70	<b>R108-2792</b>	108-2792	Rubber Deflector Assy	1	
71	<b>R151416</b>	108-5029, 110-0759, 151416	Deflector - Long	1	
72	<b>R106-3246-01</b>	106-3246-01	Deflector	1	
73	<b>R106-3253-01</b>	106-3253-01	Plate-Hinge, Front	1	
74	<b>R108-4059-01</b>	108-4059-01	Plate-Hinge, Rear	1	
75	<b>R106-3248-03</b>	106-3248-03	Strap - Discharge	1	
76	<b>R3231-4</b>	01-157-0440, 01-173-0612, 3231-4	Bolt - Carriage 3/8-16 x 1-1/2	4	
77	<b>R104-8301</b>	104-8301, 104-9301, 109-6658, 133-7570	Locknut - 3/8-16 Nylon Flanged	20	
78	<b>R108-4052</b>	108-4052	Spring - Torsion	1	

All original equipment manufacturers names and part numbers are used for identification purposes only, and we are in no way implying that our products are original equipment parts. Prices subject to change without notice.



# Replaces Toro Groundsmaster 3200

## Parts

Rotary Decks

60in Rotary Deck - Model 31970



Item No	R&R Part No.	OEM Part No.	Description	Qty Req	Order Quantity
79	<b>R322-50</b>	322-50	Bolt - Hx HD 5/16-18 x 7 1/2	1	
80	<b>R3296-47</b>	3296-47	Locknut - 5/16-18 Jam Nyloc	1	
81	<b>R108-1924</b>	108-1924	Spacer-Idler	1	
82	<b>R92-5816</b>	92-5816	Bolt - Hex HD 1/2-20 x 2-1/4	3	
83	<b>R72-9361</b>	27-1000, 27-1001, 72-9360, 72-9361	Cup - Anti-Scalp	3	
84	<b>R32127-46</b>	32127-46, 3296-60	Locknut	3	
85	<b>R106-7159</b>	106-7159	O-Ring	3	
86	<b>R253-154</b>	253-154	Seal - Spindle	6	
87	<b>R110-8297</b>	110-8297, 26-1830	Bearing Set w/Retaining Rings - Spindle	3	
88	<b>R108-1954</b>	108-1954	Spacer Set- Bearing	3	
89	<b>R106-3216-01</b>	106-3216-01	Baffle - Discharge	1	
90	<b>R92-9727</b>	92-9727	Cap Assy - HOC	2	
91	<b>R92-8861</b>	92-5582, 92-8861	Cap - HOC	2	
92	<b>R92-9726</b>	92-9726	Spring - Compression	2	
93	<b>R92-5581</b>	92-5581	Ring - Retaining	2	
94	<b>R93-5980</b>	93-4238, 93-5980	Hub Assy - w/o Bearings/Spacer	2	
95	<b>R93-4242</b>	93-4242	Plate - Caster Wheel	2	
96	<b>R93-4241</b>	93-4241	Spacer - Caster Wheel	2	

All original equipment manufacturers names and part numbers are used for identification purposes only, and we are in no way implying that our products are original equipment parts. Prices subject to change without notice.



# Replaces Toro Groundsmaster 3200

## Parts

Rotary Decks

60in Rotary Deck - Model 31970



Item No	R&R Part No.	OEM Part No.	Description	Qty Req	Order Quantity
97	<b>R327-24</b>	327-24	Bolt - Hex HD 5/8-11 x 6	2	
98	<b>R32128-16</b>	32128-16	Locknut - 5/16-24 Flanged Top	8	
99	<b>R3296-53</b>	3296-53	Locknut - 5/8-11 ESNA Yellow	2	
100	<b>R323-23</b>	01-150-0810, 01-178-0636, 20-60-AGD, 323-23	Bolt - Hex HD 3/8-16 x 4-1/2	1	
101	<b>R69-6470</b>	69-6470	Bushing - Flanged	4	
102	<b>R69-1510</b>	69-1510	Spacer - 1/2 Caster Fork	14	
103	<b>R302-5</b>	21-6010, 302-11, 302-37, 302-47, 302-5, 302-57, 302-58, 302-6, 31-0300, 32-9660, 60-0800, 62-3880, 92-4181	Fitting - Grease	3	
104	<b>R69-6860</b>	69-6860	Washer - 1/8 - Caster Wheel	4	
105	<b>R98-5967</b>	98-5967	Spacer-Wheel	1	
106	<b>R108-5388</b>	108-5388	Bolt - Hx HD 3/8-16 x 7 1/2	1	
107	<b>R104-8322</b>	104-8322, 120-5576	Washer - Spindle Shaft Hardened	3	
108	<b>R32120-84</b>	32120-84	Ring - Snap	1	
109	<b>R100-6116</b>	100-6116	Bolt - 1/2-13 x 1 1/2 Flanged Hx HD Gr 8	1	
110	<b>R106-9888</b>	106-9888	Washer-Flat	1	

All original equipment manufacturers names and part numbers are used for identification purposes only, and we are in no way implying that our products are original equipment parts. Prices subject to change without notice.



# Replaces Toro Groundsmaster 3200

## Parts

Rotary Decks

60in Rotary Deck - Model 31970



Item No	R&R Part No.	OEM Part No.	Description	Qty Req	Order Quantity
111	<b>R103-0865</b>	103-0865	Washer - Blade Bolt HD	3	
112	<b>R98-7912</b>	98-7912	Bushing - Spanner Wheel	1	
113	<b>R1-373034</b>	1-373034	Washer - 7/16 HD	4	
114	<b>R93-2877</b>	93-2877	Bushing - Flanged	2	
115	<b>R98-7913</b>	98-7913	Spacer - Tube	1	
116	<b>R93-4510</b>	93-4510	Bushing	2	
117	<b>R112-3977</b>	112-3977	Bolt- Shoulder	1	
118	<b>R92-5583</b>	92-5583	Washer- Cap	1	
119	<b>R108-9017</b>	108-9017, 120-3366	Bearing-Stainless	4	
120	<b>R3296-25</b>	30-3380, 32127-21, 32127-31, 3290-160, 3290-33, 3296-13, 3296-25, 3296-45, 329645	Locknut - 1/2-13 Heavy ESNA	1	
121	<b>R322-20</b>	01-178-0526, 322-20	Bolt - Hex HD 5/16-18 x 3-1/4 GR5	6	

All original equipment manufacturers names and part numbers are used for identification purposes only, and we are in no way implying that our products are original equipment parts. Prices subject to change without notice.



# Replaces Toro Groundsmaster 3200

## Parts

Rotary Decks

60in Rotary Deck - Model 31970



Item No	R&R Part No.	OEM Part No.	Description	Qty Req	Order Quantity
122	<b>R453011</b>	01-166-0100, 01-166-0120, 01-166-0270, 01-166-0500, 01-166-0600, 01-166-0620, 132-4593, 2356-3, 237-12, 24-10-AD, 24-11-AD, 24-11-BD, 24-12-AD, 24-12-BD, 30-9310, 32-8190, 3256-24, 3256-3, 3256-36, 3256-4, 453011, 47-9950, 48-9220, 513458, 7-0052	Washer - Flat 3/8 SAE Y/Zinc	6	
123	<b>R108-1956</b>	108-1956, 139-1042, 139-6338	Shaft Assy - Spindle	3	
124	<b>R138-6416</b>	138-6416	Spacer - Spindle Shaft	3	
125	<b>R95-2741</b>	137-5552, 95-2741	Rim - Wheel Half w/o Valve Hole	4	
126	<b>R138-6051-01</b>	138-6051-01	Plate - Baffle	1	

All original equipment manufacturers names and part numbers are used for identification purposes only, and we are in no way implying that our products are original equipment parts. Prices subject to change without notice.