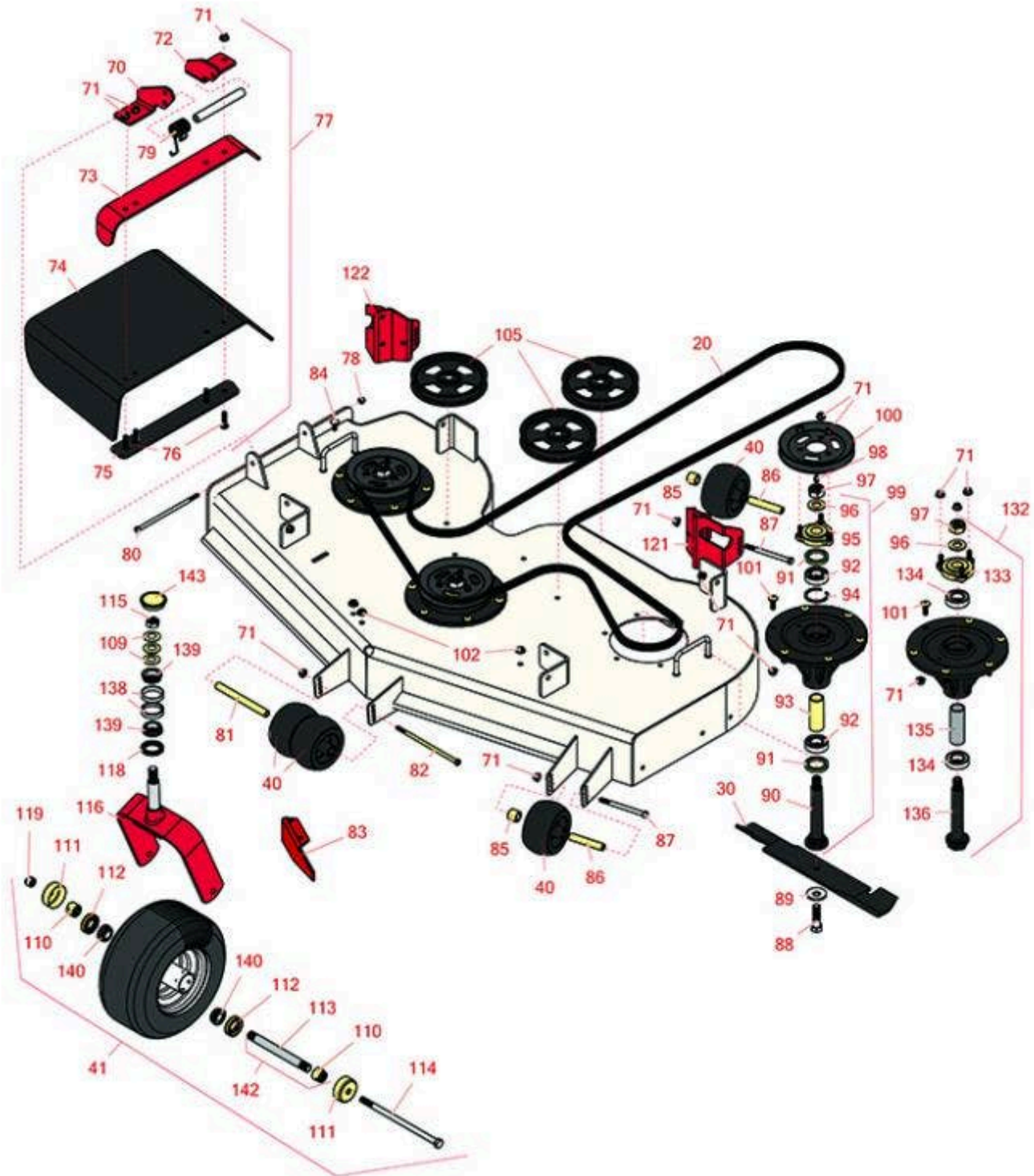




# Replaces Toro Z Master Professional 7000 Parts

Zero Turn Mower with 52in Deck - Model 74266  
52in Side Discharge Deck



All original equipment manufacturers names and part numbers are used for identification purposes only, and we are in no way implying that our products are original equipment parts. Prices subject to change without notice.



# Replaces Toro Z Master Professional 7000 Parts

Zero Turn Mower with 52in Deck - Model 74266  
52in Side Discharge Deck



Item No	R&R Part No.	OEM Part No.	Description	Qty Req	Order Quantity
<b>Belts</b>					
20	<b>R108-5951</b>	108-5951	Belt- V	1	
<b>Rotary Blades</b>					
30	<b>R105-7781-03</b>	105-7781-03	Mower Blade - 18 in High-Flow	3	
30	<b>R108-1117</b>	108-1117	Mower Blade Kit - 18 in High-Flow Set/6	1	
30	<b>R105-7779-03</b>	105-7779-03	Mower Blade - 18 in Recycler	3	
30	<b>R110-0408</b>	110-0408	Mower Blade Kit - 18 in Recycler Set/6	1	
<b>Wheels</b>					
40	<b>R68-2730</b>	1-603299, 68-2730	Wheel - Anti Scalp	5	
41	<b>R109-9127</b>	109-9125, 109-9127	Tire & Wheel - 13x6.50-6 Flat Free	2	
41	<b>R127-9526</b>	127-9526	Tire & Wheel - 13x6.50-6	2	
<b>Other Parts Available</b>					
70	<b>R106-3253-01</b>	106-3253-01	Plate-Hinge, Front	1	
71	<b>R104-8301</b>	104-8301, 104-9301, 109-6658, 133-7570	Locknut - 3/8-16 Nylon Flanged	44	
72	<b>R108-4059-01</b>	108-4059-01	Plate-Hinge, Rear	1	
73	<b>R106-3246-01</b>	106-3246-01	Deflector	1	
74	<b>R151416</b>	108-5029, 110-0759, 151416	Deflector - Long	1	
75	<b>R106-3248-03</b>	106-3248-03	Strap - Discharge	1	

All original equipment manufacturers names and part numbers are used for identification purposes only, and we are in no way implying that our products are original equipment parts. Prices subject to change without notice.



# Replaces Toro Z Master Professional 7000 Parts

Zero Turn Mower with 52in Deck - Model 74266  
52in Side Discharge Deck



Item No	R&R Part No.	OEM Part No.	Description	Qty Req	Order Quantity
76	<b>R3231-4</b>	01-157-0440, 01-173-0612, 3231-4	Bolt - Carriage 3/8-16 x 1-1/2	4	
77	<b>R108-2792</b>	108-2792	Rubber Deflector Assy	1	
78	<b>R3296-47</b>	3296-47	Locknut - 5/16-18 Jam Nyloc	1	
79	<b>R108-4052</b>	108-4052	Spring - Torsion	1	
80	<b>R322-50</b>	322-50	Bolt - Hx HD 5/16-18 x 7 1/2	1	
81	<b>R98-5967</b>	98-5967	Spacer-Wheel	1	
82	<b>R108-5388</b>	108-5388	Bolt - Hx HD 3/8-16 x 7 1/2	1	
83	<b>R106-3216-01</b>	106-3216-01	Baffle - Discharge	1	
84	<b>R3231-27</b>	3231-27	Bolt - Carriage 3/8-16 x 7/8	1	
85	<b>R98-7913</b>	98-7913	Spacer - Tube	4	
86	<b>R98-7912</b>	98-7912	Bushing - Spanner Wheel	4	
87	<b>R323-23</b>	01-150-0810, 01-178-0636, 20-60-AGD, 323-23	Bolt - Hex HD 3/8-16 x 4-1/2	1	
88	<b>R51-4060</b>	51-4060	Bolt - Blade	3	
89	<b>R103-0865</b>	103-0865	Washer - Blade Bolt HD	3	
90	<b>R119-8527</b>	119-1851, 119-8527	Spindle Shaft and Zerk Assy	3	
91	<b>R253-133</b>	253-133	Seal - Oil	6	
92	<b>R119-8558</b>	119-8558, 76-7500	Bearing - Ball - Special	6	
93	<b>R117-6184</b>	117-6184	Spacer	3	

All original equipment manufacturers names and part numbers are used for identification purposes only, and we are in no way implying that our products are original equipment parts. Prices subject to change without notice.



# Replaces Toro Z Master Professional 7000 Parts

Zero Turn Mower with 52in Deck - Model 74266  
52in Side Discharge Deck



Item No	R&R Part No.	OEM Part No.	Description	Qty Req	Order Quantity
94	<b>R119-8532</b>	114-8161, 119-8532	Snap Ring	3	
95	<b>R117-6172</b>	117-6172	Spindle Hub Assy w/Studs	3	
96	<b>R92-5836</b>	92-5836	Flat Washer - Hardened	3	
97	<b>R3296-67</b>	3296-67	Locknut - 3/4-16 Heavy Jam RH Thread	3	
98	<b>R471219</b>	30-8360, 302-2, 302-24, 302-31, 302-52, 471219	Zerk - Grease	3	
99	<b>R119-8560</b>	117-6157, 119-8560	Spindle Assy	3	
100	<b>R105-7735</b>	105-7735	Pulley - 6.75 in Dia with 1.75 Dia Bore	3	
101	<b>R114-8195</b>	114-8195, R & R ONLY	Bolt- Ribbed Neck	18	
102	<b>R32128-43</b>	30-8990, 32128-43, 3290-357	Nut - Flanged Whiz - 3/8-16	3	
105	<b>R116-4667</b>	116-4667, 126-7685	Idler -Pulley - Flat	3	
109	<b>R1-633508</b>	1-633508	Washer - Spring Disc	6	
110	<b>R103-3051</b>	103-3051	Spacer - Nut - Hardened	4	
111	<b>R103-2768</b>	103-2768	Guard - Seal	4	
112	<b>R103-0063</b>	103-0063	Seal - Grease	4	
113	<b>R103-5156</b>	103-5156	Axle- Caster	2	
114	<b>R325-24</b>	325-24	Bolt - 1/2-13 x 9 Hx HD Gr 5	2	

All original equipment manufacturers names and part numbers are used for identification purposes only, and we are in no way implying that our products are original equipment parts. Prices subject to change without notice.



# Replaces Toro Z Master Professional 7000 Parts

Zero Turn Mower with 52in Deck - Model 74266  
52in Side Discharge Deck



Item No	R&R Part No.	OEM Part No.	Description	Qty Req	Order Quantity
115	<b>R3296-51</b>	3296-51, 3296-81	Nut - Nylon Lock 3/4-10 Gr 8	2	
116	<b>R116-6705-01</b>	116-6705-01	Fork - Caster	2	
118	<b>R116-5647</b>	116-5647	Seal - Grease	2	
119	<b>RF5003</b>	32127-29, 32131-5, 32132-5, 3296-23	Locknut - ESNA 1/2-13	2	
121	<b>R106-7354-01</b>	106-7354-01	Mount - Wheel - LH	1	
122	<b>R106-7355-01</b>	106-7355-01	Mount - Wheel - RH	1	
132	<b>R127-0560</b>	127-0560	Spindle Assy - No Grease	3	
133	<b>R127-0557</b>	127-0557	Spindle Hub Assy w/Studs	3	
134	<b>R116-0720</b>	116-0720	Bearing - Ball - Special Triple Seal	6	
135	<b>R127-0554</b>	127-0554	Spacer - Bearing	3	
136	<b>R127-0556</b>	127-0556	Shaft- Spindle	3	
138	<b>R254-72</b>	01-103-0050, 01-103-0120, 01-103-0140, 1-543508, 254-71, 254-72, 40439, 62-3340, 99-4511	Cup - Bearing	4	
139	<b>R254-94</b>	1-543509, 254-94, 32-8090, 32-8240, 32-9640, 40440, 62-3330	Tapered Bearing Cone	4	

All original equipment manufacturers names and part numbers are used for identification purposes only, and we are in no way implying that our products are original equipment parts. Prices subject to change without notice.



# Replaces Toro Z Master Professional 7000 Parts

*Zero Turn Mower with 52in Deck - Model 74266  
52in Side Discharge Deck*



Item No	R&R Part No.	OEM Part No.	Description	Qty Req	Order Quantity
140	<b>R254-78</b>	01-102-0060, 01-102-0130, 1-633585, 254-78, 32-7790, 32-9580, 93-4813	Tapered Bearing Cone	4	
142	<b>R126-5361</b>	126-5361	Axle Assy - with Bushing - Caster	2	
143	<b>R103-4882</b>	103-4882	Grease Cap - Castor	2	

All original equipment manufacturers names and part numbers are used for identification purposes only, and we are in no way implying that our products are original equipment parts. Prices subject to change without notice.