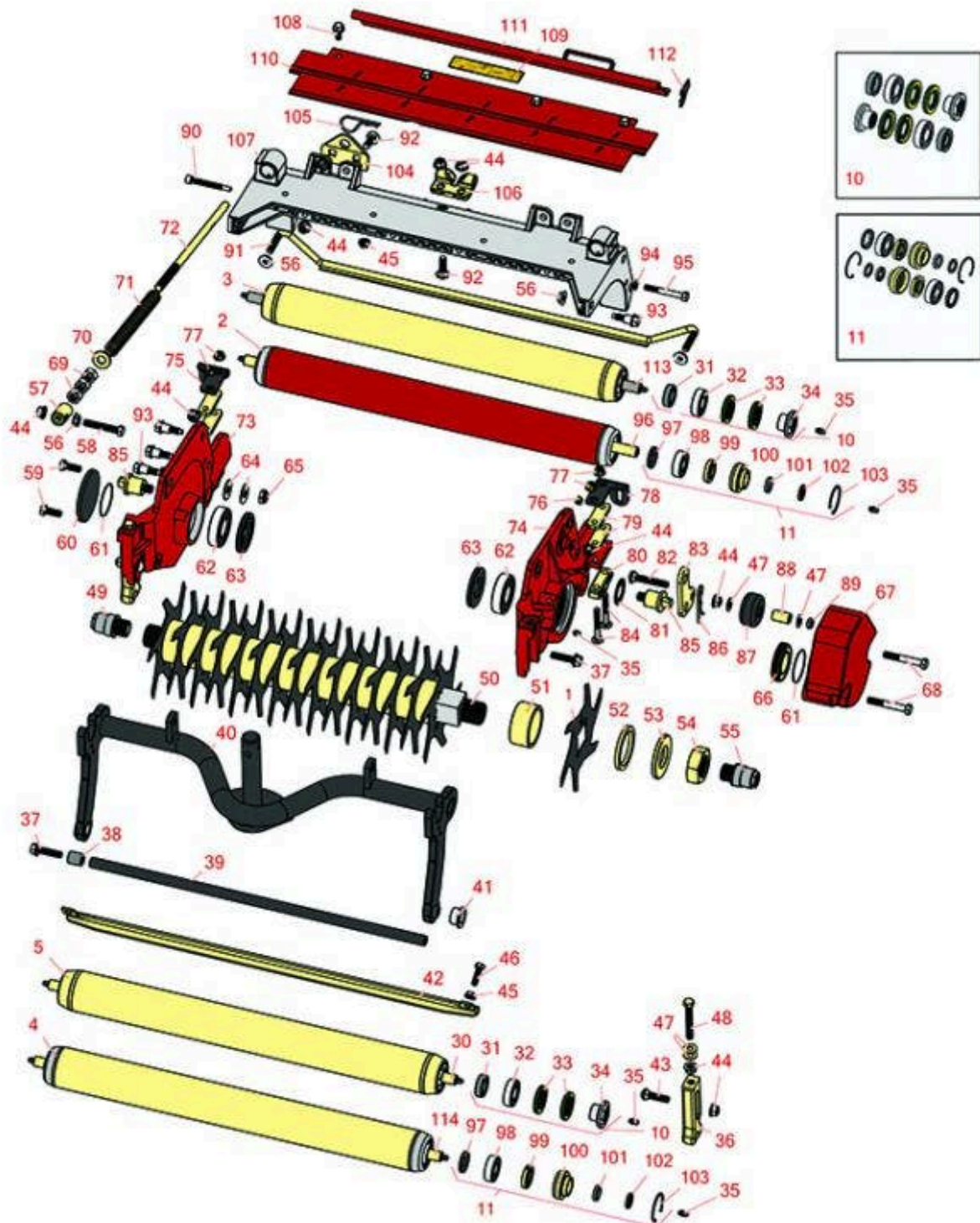




Replaces Toro Reelmaster 5610-D Parts

Verti-Cut Unit - Model 03619

Verti-Cut Reel & Frame



All original equipment manufacturers names and part numbers are used for identification purposes only, and we are in no way implying that our products are original equipment parts. Prices subject to change without notice.



Replaces Toro Reelmaster 5610-D Parts

Verti-Cut Unit - Model 03619

Verti-Cut Reel & Frame



Item No	R&R Part No.	OEM Part No.	Description	Qty Req	Order Quantity
---------	--------------	--------------	-------------	---------	----------------

Verti-Cut Blades

1	R93-3038-03	93-3038, 93-3038-03	Blade - Vertical Mower 1/16x7.25	16	
1	R106-8625	106-8625	Blade - Carbide Tip	16	

R&R Rollers

2	R107-4040	107-4040	Roller - Smooth Tubular Steel	1	
<i>Tech Note: Fits 2006-2007). Constructed with a through shaft, this heavy-duty roller uses greasable ball bearings. (2006 - 2007):</i>					

3	R114-5404	114-5404, 137-6107	Roller - Smooth Tubular Steel - Long	1	
<i>Tech Note: (Fits 2008 & Newer). Constructed with a through shaft, this heavy-duty roller uses greasable stainless ball bearings. (2006 - 2007):</i>					

4	R110-9614	110-9614	Roller Assy - 2.5 Solid Front	0	
<i>Tech Note: (Fits 2006 -2007). Constructed with a through shaft, this heavy duty roller uses greasable ball bearings.:</i>					

5	R114-5419	114-5419, 137-6109	Roller - Smooth Tubular Steel	1	
<i>Tech Note: (Fits 2008 & Newer):</i>					

Overhaul Kits

10	R114-5430	114-5430	Overhaul Kit - Roller	1	
<i>Tech Note: Includes 4 ea.: R112-7494 Seals; 2 ea.: R302-5 Grease Zerks, R114-3717 Seals, R112-5290 Bearings & R114-3745 Locknuts:</i>					

11	R106-9606	106-9606	Overhaul Kit - Roller	1	
<i>Tech Note: Include 2 ea: R343667 Bearings, R253-70 Seals, R32120-62 Retaining Rings, R93-1251 Seals, R93-1252 Seals, R93-2931 Washers, R93-3007 Seals:</i>					

Other Parts Available

All original equipment manufacturers names and part numbers are used for identification purposes only, and we are in no way implying that our products are original equipment parts. Prices subject to change without notice.



Replaces Toro Reelmaster 5610-D Parts

Verti-Cut Unit - Model 03619

Verti-Cut Reel & Frame



Item No	R&R Part No.	OEM Part No.	Description	Qty Req	Order Quantity
30	R114-5403	114-5403	Shaft - Front Roller	1	
31	R114-3717	114-3717	Seal	2	
32	R112-5290	112-5290, 251--346, 251-346, 72-5430	Bearing - Stainless	2	
33	R112-7494	112-7494	Seal	4	
34	R114-3745	114-3745, 114-5411	Locknut - Bearing - Stainless	2	
35	R302-5	21-6010, 302-11, 302-37, 302-47, 302-5, 302-57, 302-58, 302-6, 31-0300, 32-9660, 60-0800, 62-3880, 92-4181	Fitting - Grease	6	
36	R107-2952	107-2952	Bracket - Front Roller	2	
37	R3234-19	3234-19	Bolt - Hex Washer 3/8-16x1-3/4	2	
38	R108-4279	108-4279	Spacer - Frame	2	
39	R108-4284	108-4284	Shaft - Support	1	
40	R107-7433	107-7433	Carrier Frame Assy	1	
41	R93-2877	93-2877	Bushing - Flanged	2	
42	R108-4475-03	108-4475-03	Scraper - Full Front 2.5 in	1	
43	R3231-4	01-157-0440, 01-173-0612, 3231-4	Bolt - Carriage 3/8-16 x 1-1/2	2	

All original equipment manufacturers names and part numbers are used for identification purposes only, and we are in no way implying that our products are original equipment parts. Prices subject to change without notice.



Replaces Toro Reelmaster 5610-D Parts

Verti-Cut Unit - Model 03619

Verti-Cut Reel & Frame



Item No	R&R Part No.	OEM Part No.	Description	Qty Req	Order Quantity
44	R104-8301	104-8301, 104-9301, 109-6658, 133-7570	Locknut - 3/8-16 Nylon Flanged	13	
45	R445722	30-8980, 32128-2, 32128-20, 32128-20 , 445722	Nut - Serrated Washer	6	
46	R322-16	322-16, Apr-00	Bolt - Hex HD 5/16-18 x 1-1/8	2	
47	R453011	01-166-0100, 01-166-0120, 01-166-0270, 01-166-0500, 01-166-0600, 01-166-0620, 132-4593, 2356-3, 237-12, 24-10-AD, 24-11-AD, 24-11-BD, 24-12-AD, 24-12-BD, 30-9310, 32-8190, 3256-24, 3256-3, 3256-36, 3256-4, 453011, 47-9950, 48-9220, 513458, 7-0052	Washer - Flat 3/8 SAE Y/Zinc	8	
48	R112-7451	100-9429, 112-7451	Bolt - Hex Tap 3/8-16 x 2-3/4	2	
49	R108-4978	108-4978, 131-0516	Insert - RH - Verti-Cut Shaft	1	

All original equipment manufacturers names and part numbers are used for identification purposes only, and we are in no way implying that our products are original equipment parts. Prices subject to change without notice.



Replaces Toro Reelmaster 5610-D Parts

Verti-Cut Unit - Model 03619

Verti-Cut Reel & Frame



Item No	R&R Part No.	OEM Part No.	Description	Qty Req	Order Quantity
50	R108-4975	108-4975	Shaft Assy - V-Cut	1	
51	R105-0172	105-0172	Spacer - Verticut Shaft 1.2 in	15	
52	R105-0177	105-0177	Spacer - Verticut Shaft 1/4 in	1	
53	R105-0173	105-0173	Washer - Verticut Shaft 1/4 in	1	
54	R3220-25	3220-25	Nut - Jam 1-3/8-12	1	
55	R108-4977	108-4977, 131-0515	Insert - LH - Verti-Cut Shaft	1	
56	R32128-43	30-8990, 32128-43, 3290-357	Nut - Flanged Whiz - 3/8-16	9	
57	R99-8662	99-8662	Tube - Spring	1	
58	R104-3396	104-3396	Bolt - Hex HD 3/8-16 x 2-1/4	1	
59	R323-6	01-150-0010, 01-178-0608, 20-47-AD, 20-47-AGD, 3224-2, 323-6, 49-3510, 908034P, 908332	Bolt - Hex HD 3/8-16 x 1 GR5 YZ	2	
60	R94-2703	94-2703	Plug - Plastic Spindle Housing	1	
61	R112-6967	112-6967	O-Ring	2	
62	R93-2489	93-2489	Bearing - Reel	2	
63	R107-4028	105-6757, 107-4028	Seal - Grease	2	
64	R453013	01-166-0140, 01-166-0700, 3256-5, 80-4850	Washer - Flat 7/16	4	

All original equipment manufacturers names and part numbers are used for identification purposes only, and we are in no way implying that our products are original equipment parts. Prices subject to change without notice.



Replaces Toro Reelmaster 5610-D Parts

Verti-Cut Unit - Model 03619

Verti-Cut Reel & Frame



Item No	R&R Part No.	OEM Part No.	Description	Qty Req	Order Quantity
65	R3296-28	119-4154, 140-9234, 32127-34, 32128-7, 32128-8, 32136-7, 3296-28	Nut - 1/2-20 ESNA Jam	2	
66	R107-2954	107-2954	Nut - Bearing Adjuster	1	
67	R108-4269-01	108-4269-01	Weight	1	
68	R101526	01-150-0970, 01-178-0620, 101526, 20-53-AGD, 321-11, 3224-8, 323-11, 323-12, 323-31, 323-4, 323-47	Bolt - Hex HD 3/8-16 x 2-1/2 GR5	2	
69	R443818	01-191-0813, 3218-18, 3218-5, 3248-18	Nut - 1/2-13 Hex Jam Zinc	3	
70	R453017	01-166-0050, 01-166-0240, 01-166-0800, 24-13-AD, 24-14-AD, 32-8110, 3256-26, 3256-6, 453017, 69-8980, 87-7270	Washer - Flat 1/2	1	
70	R87-7270-01	87-7270, 87-7270-01	Washer - Flat 1/2	1	
71	R110-4079	110-4079	Spring	1	

All original equipment manufacturers names and part numbers are used for identification purposes only, and we are in no way implying that our products are original equipment parts. Prices subject to change without notice.



Replaces Toro Reelmaster 5610-D Parts

Verti-Cut Unit - Model 03619

Verti-Cut Reel & Frame



Item No	R&R Part No.	OEM Part No.	Description	Qty Req	Order Quantity
72	R115-2007	107-7437, 115-2007	Rod - Spring	1	
73	R110-9631	110-9631	Side Plate - RH	1	
74	R110-9630	110-9630	Side Plate - LH	1	
75	R107-3281	107-3281	Bracket - Scraper - RH	1	
76	R170714	302-34, 302-39, 62-3520	Fitting - Pressure Relief	2	
77	R104-8300	104-8300, 104-8300, 119-4041	Locknut - 5/16-18 Flanged Y/Zinc	4	
78	R107-3279	107-3279	Bracket - Scraper - LH	1	
79	R106-3925	106-3925	Shim - 1/4 - Rear Roller HOC	4	
80	R106-3924	106-3924	Bracket - Rear Roller	2	
81	R3254-21	3254-21	Washer - 1 in Interl Star	2	
82	R3231-7	3231-33, 3231-7	Bolt - Carriage 3/8-16 x 2-1/4	2	
83	R108-4286	108-4286	Bracket - Adj	2	
84	RP17609-2	106-9758, 3230-7	Bolt - Carriage 5/16-18 x 1-1/2	4	
85	R108-4289	108-4289	Pin - Roller Mounting	2	
86	R3290-355	01-159-0050, 3290-355, 58-5370	Pin - Bridge - Snap	2	
87	R108-4293	108-4293	Roller - Verti-Cut	2	
88	R59-2580	59-2580	Spacer - Wheel	2	
89	R3296-59	3296-59	Locknut - 3/8-16 Nylon Jam	2	

All original equipment manufacturers names and part numbers are used for identification purposes only, and we are in no way implying that our products are original equipment parts. Prices subject to change without notice.



Replaces Toro Reelmaster 5610-D Parts

Verti-Cut Unit - Model 03619

Verti-Cut Reel & Frame



Item No	R&R Part No.	OEM Part No.	Description	Qty Req	Order Quantity
90	R107-7773	107-7773	Bolt - Soc HD Cap 5/16-18 x 2-1/2	1	
91	R107-2999	107-2999	Scraper - Rear Roller	1	
92	R3231-25	01-173-0610, 30-9970, 3231-25, 3231-3, 900064P	Bolt - Carriage 3/8-16 x 1-1/4	4	
93	R107-2979	107-2979	Bolt - Shoulder	6	
94	R3256-74	3256-74	Washer - Flat	1	
95	R322-14	01-150-0830, 01-178-0524, 30-8900, 322-14	Bolt - Hex HD 5/16-18 x 3 GR5	1	
96	R107-3296	107-3296, 99-5717	Shaft - Rear Long Roller	1	
97	R93-3007	93-3007	Seal	2	
98	R343667	109966, 251-6, 38-7820	Bearing - Ball	2	
99	R93-1251	93-1251	Seal	2	
100	R93-1252	93-1252	Seal - Outer	2	
101	R253-70	253-70	Seal	2	
102	R93-2931	93-2931	Washer - Roller Seal	2	
103	R32120-62	32120-62	Ring - Retaining	2	
104	R110-4069	110-4069	Bracket	1	
105	R92-2762	92-2762	Pin - Snap	1	
106	R110-4058	110-4058	Bracket - Chain	1	

All original equipment manufacturers names and part numbers are used for identification purposes only, and we are in no way implying that our products are original equipment parts. Prices subject to change without notice.



Replaces Toro Reelmaster 5610-D Parts

Verti-Cut Unit - Model 03619

Verti-Cut Reel & Frame



Item No	R&R Part No.	OEM Part No.	Description	Qty Req	Order Quantity
107	R107-3258	107-3258	Frame	1	
108	R3234-5	3234-5, 62-3310	Bolt - 5/16-18x3/4 Hx Ser Was HD	4	
109	R93-6688	93-6688	Decal - Warning	1	
110	R107-2996	107-2996	Grass Shield - Front	1	
111	R107-7779-01	107-7779-01	Grass Shield Assy - Rear	1	
112	R108-4961	108-4961	Tab - Stop - Shield	1	
113	R114-5407	114-5407	Shaft - Long Rear Roller	1	
<i>Tech Note: (fits 2008 & Newer):</i>					
114	R110-4053	110-4053	Shaft - Front Roller	1	
<i>Tech Note: (Fits 2006-2007):</i>					

All original equipment manufacturers names and part numbers are used for identification purposes only, and we are in no way implying that our products are original equipment parts. Prices subject to change without notice.