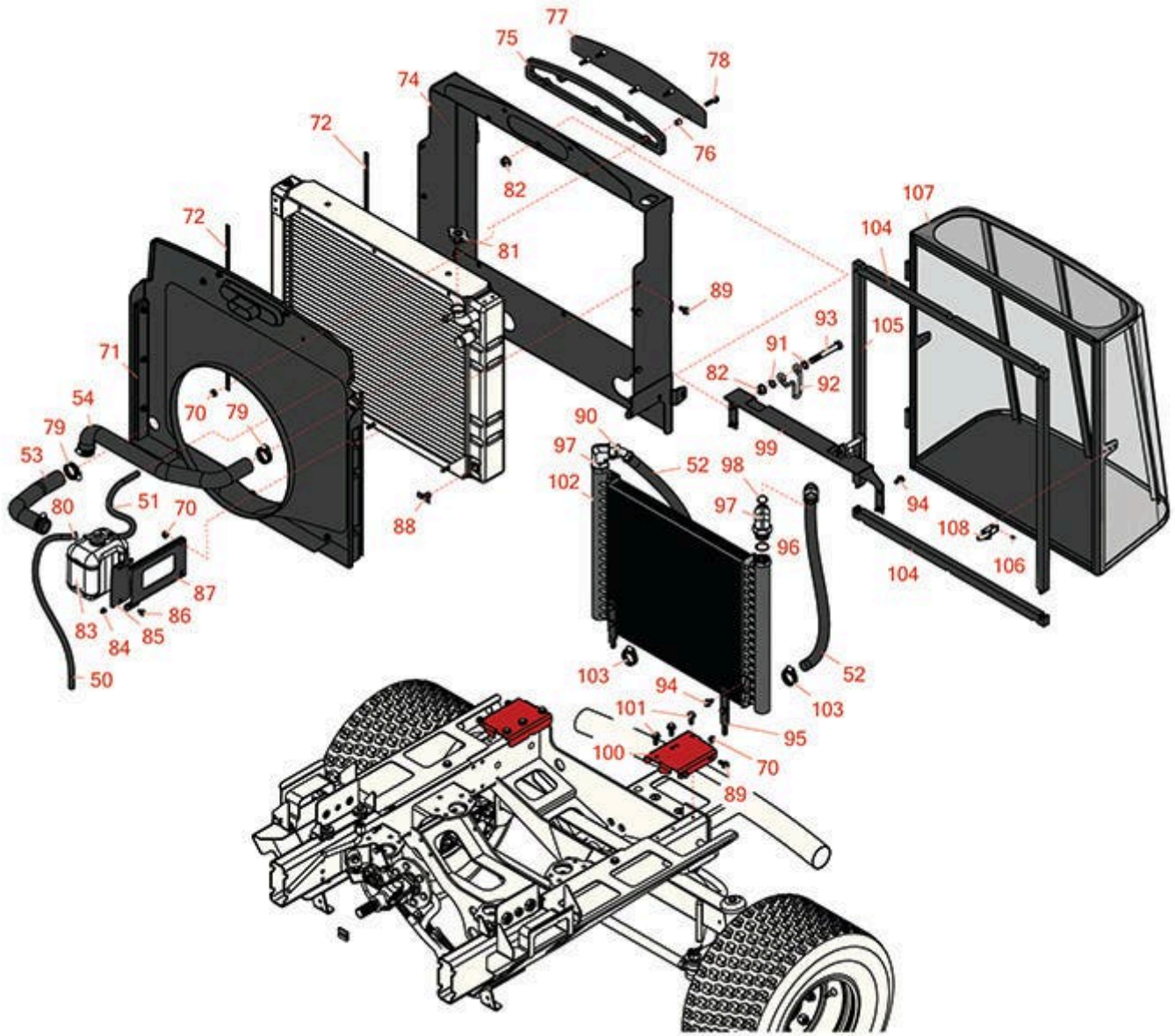




# Replaces Toro Reelmaster 5610-D Parts

Traction Unit - Models 03677, 03678, 03679, 03690 & 03691  
Radiator & Cooling System



All original equipment manufacturers names and part numbers are used for identification purposes only, and we are in no way implying that our products are original equipment parts. Prices subject to change without notice.



## Replaces Toro Reelmaster 5610-D Parts

Traction Unit - Models 03677, 03678, 03679, 03690 & 03691  
Radiator & Cooling System



Item No	R&R Part No.	OEM Part No.	Description	Qty Req	Order Quantity
<b>Hoses</b>					
50	<b>R110-3257</b>	110-3257, 63-7630	Hose-Fuel	1	
51	<b>R110-4104</b>	110-4104, 27-5340	Hose-Fuel	1	
51	<b>R110-8752</b>	110-8752	Hose-Fuel	1	
52	<b>R110-8955</b>	110-8955	Hose - Oil Cooler	2	
53	<b>R110-8943</b>	110-8943	Hose-Formed	1	
54	<b>R110-8942</b>	110-8942	Hose-Formed	1	
<b>Other Parts Available</b>					
70	<b>R104-8300</b>	104-8300, 104-8300 , 119-4041	Locknut - 5/16-18 Flanged Y/Zinc	14	
71	<b>R110-5311</b>	110-5311, R110-5311	Shroud - Radiator	1	
72	<b>R110-8953</b>	110-8953	Seal - Foam - 18 in	0	
74	<b>R110-5251-03</b>	110-5251-03	Frame-Radiator	1	
75	<b>R110-5324</b>	110-5324	Seal-Foam	1	
76	<b>R1-603903</b>	1-603903	Spacer	5	
77	<b>R108-1843-03</b>	108-1843-03	Screen-Intake, Air	1	
78	<b>R3234-36</b>	3234-36	Bolt - 5/16-18 x 1 1/4 Hx HD Flange	5	
79	<b>R2412-34</b>	2412-34, 31-0120	Clamp - Hose .75-1.5	4	
80	<b>R92-2379</b>	92-2379	Clamp - Hose	3	

All original equipment manufacturers names and part numbers are used for identification purposes only, and we are in no way implying that our products are original equipment parts. Prices subject to change without notice.



# Replaces Toro Reelmaster 5610-D Parts

Traction Unit - Models 03677, 03678, 03679, 03690 & 03691  
Radiator & Cooling System



Item No	R&R Part No.	OEM Part No.	Description	Qty Req	Order Quantity
81	<b>R93-5957</b>	93-5957	Cap - Radiator	1	
82	<b>R32128-49</b>	32128-49	Nut - 1/2-13 Hex Flange	4	
83	<b>RX1G64272400</b>	104-9318, 105-3753, 98-9323, 98-9397	Kubota Tank - Reserve Assy	1	
84	<b>R301504</b>	2296-42, 301504, 32127-24, 32128-33, 32146-17, 3296-16, 3296-42, 3296-42 , 915661P	Locknut - ESNA 1/4-20	1	
85	<b>R108-1665-03</b>	108-1665-03	Bracket-Reservior	1	
86	<b>R3234-13</b>	3234-13, 960151P	Bolt - Flanged Hex 1/4-20	1	
87	<b>R108-1666-03</b>	108-1666-03	Bracket-Reservoir	1	
88	<b>R304-46</b>	304-46	Draincock	1	
89	<b>R3234-5</b>	3234-5, 62-3310	Bolt - 5/16-18x3/4 Hx Ser Was HD	6	
90	<b>R104-7851</b>	104-7851	Hydraulic Fitting - 45 Deg	2	
91	<b>R455012</b>	3256-26, 41-8440	Washer - Flat 1/2 x 3/4	4	
92	<b>R104-5429</b>	104-5429	Clamp - Form, Wire	2	

All original equipment manufacturers names and part numbers are used for identification purposes only, and we are in no way implying that our products are original equipment parts. Prices subject to change without notice.



# Replaces Toro Reelmaster 5610-D Parts

Traction Unit - Models 03677, 03678, 03679, 03690 & 03691  
Radiator & Cooling System



Item No	R&R Part No.	OEM Part No.	Description	Qty Req	Order Quantity
93	<b>R325-17</b>	01-150-0640, 01-150-0850, 01-178-0832, 01-178-0836, 20-97-AGD, 325-17, 325-18, 48-9260	Bolt - Hex Head	2	
94	<b>R3234-14</b>	3234-14, 3234-23	Bolt - Hex Serrated Washer HD	8	
95	<b>R104-5460-03</b>	104-5460-03	Plate-Mount, Oil Cooler	2	
96	<b>R237-81</b>	237-81, 237.81, 327-81	O-Ring	2	
97	<b>R340-142</b>	340-142, 95-1692	Hydraulic Fitting - 90 Deg	2	
98	<b>R237-58</b>	237-58	O-Ring	2	
99	<b>R104-5428</b>	104-5428, 104-5428-03, 114-4193	Bracket-Oil Cooler	1	
100	<b>R110-5310-01</b>	110-5310-01	Bracket-Mounting	2	
101	<b>R32144-14</b>	32104-32, 32104-49, 32144-14	Bolt - Hex Washer 5/16-18 x 5/8	6	
102	<b>R150955</b>	110-0485	Cooler - Hydraulic Oil	1	
103	<b>R2412-129</b>	2412-129, 94-3188, 94-3189, 94-3193, 94-3203, 94-3204	Clamp - Worm 9/16-1 1/4	1	
104	<b>R110-5276</b>	110-5276	Seal-Foam-Radiator	2	

All original equipment manufacturers names and part numbers are used for identification purposes only, and we are in no way implying that our products are original equipment parts. Prices subject to change without notice.



## Replaces Toro Reelmaster 5610-D Parts

*Traction Unit - Models 03677, 03678, 03679, 03690 & 03691  
Radiator & Cooling System*



Item No	R&R Part No.	OEM Part No.	Description	Qty Req	Order Quantity
105	<b>R110-5275</b>	110-5275	Seal-Foam-Radiator	2	
106	<b>R3290-382</b>	3269-15, 3290-382	Rivet - 5/32 x 1/2 Pop Rivet	2	
107	<b>R110-5269-03</b>	110-5269-03	Screen Assy	1	
108	<b>R115-1554</b>	105-3912, 115-1554, 115-1554-01	Latch-Draw	1	

All original equipment manufacturers names and part numbers are used for identification purposes only, and we are in no way implying that our products are original equipment parts. Prices subject to change without notice.