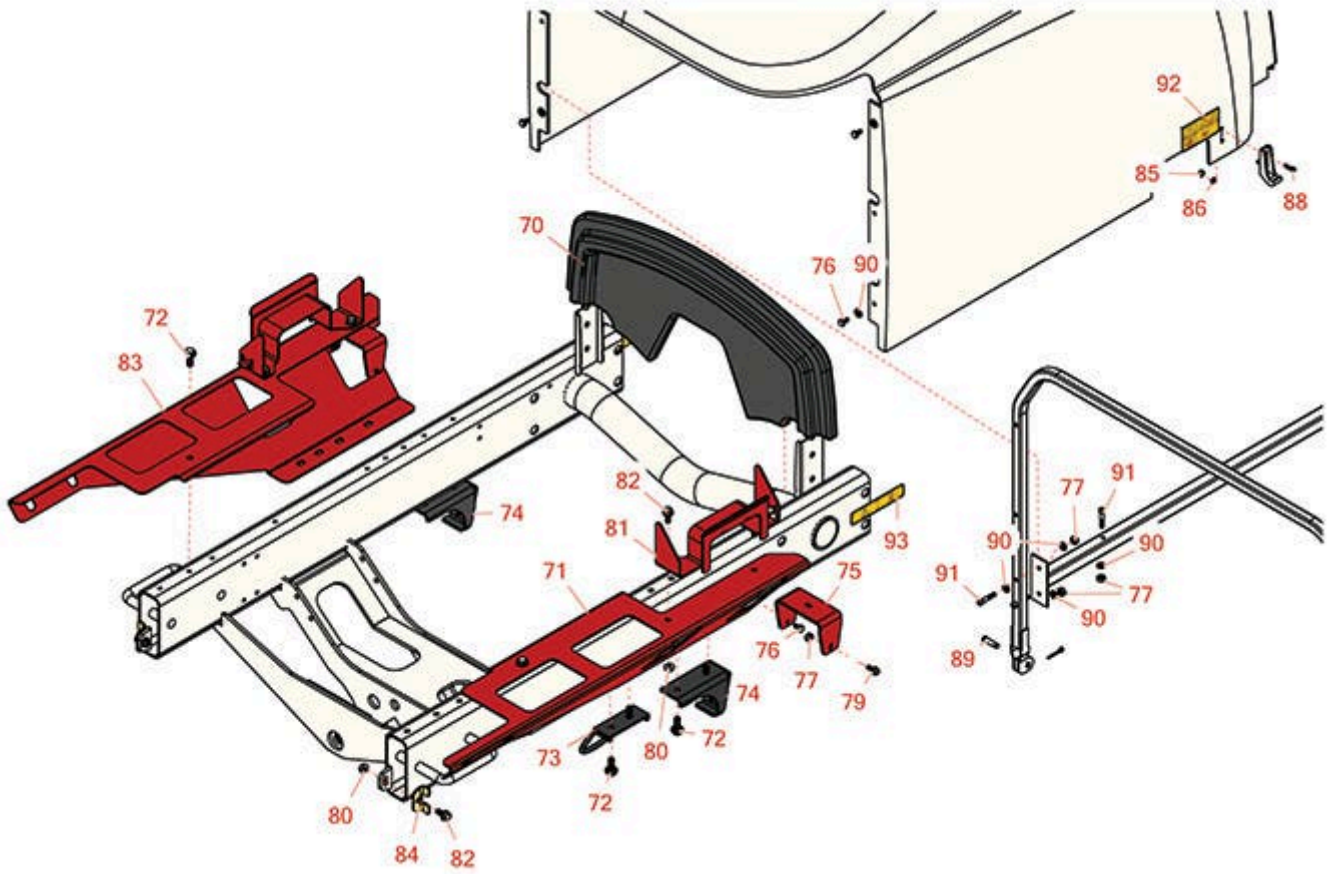




Replaces Toro Reelmaster 5610-D Parts

Traction Unit - Models 03677, 03678, 03679, 03690 & 03691
Hood & Body



All original equipment manufacturers names and part numbers are used for identification purposes only, and we are in no way implying that our products are original equipment parts. Prices subject to change without notice.



Replaces Toro Reelmaster 5610-D Parts

Traction Unit - Models 03677, 03678, 03679, 03690 & 03691
Hood & Body



| Item No | R&R Part No. | OEM Part No. | Description | Qty Req | Order Quantity |
|---|---------------------|--|--------------------------------------|---------|----------------|
| Other Parts Available | | | | | |
| 70 | R108-7587 | 108-7587 | Saddle-Hood | 1 | |
| 71 | R110-5254-01 | 110-5254-01 | Adapter-Hood, RH | 1 | |
| 72 | R32144-14 | 32104-32, 32104-49, 32144-14 | Bolt - Hex Washer 5/16-18 x 5/8 | 8 | |
| 73 | R110-8999 | 110-8999 | Muffler Guard | 1 | |
| 74 | R110-0979-03 | 110-0979-03 | Bracket-Deflector | 2 | |
| 75 | R110-5256-01 | 110-5256-01 | Bracket - Latch - Hood | 2 | |
| 76 | R12-3270 | 12-3270, 30-0700, 32104-17, 9266714, Aug-80 | Bolt - Hex Washer 1/4-20 x 1/2 | 6 | |
| <i>Tech Note: Fits 5210-5510:</i> | | | | | |
| 77 | R301504 | 2296-42, 301504, 32127-24, 32128-33, 32146-17, 3296-16, 3296-42, 3296-42 , 915661P | Locknut - ESNA 1/4-20 | 8 | |
| <i>Tech Note: Fits 5510-5610 2006-2009:</i> | | | | | |
| 77 | R104-7201 | 104-7201 | Locknut - 1/4-20 ESNA Flanged | 8 | |
| <i>Tech Note: Fits 5210-5410 and 5510-5610 2010 and Up:</i> | | | | | |
| 79 | R3234-33 | 3234-33 | Bolt - 1/4-20 x 3/4 Serr Hex Flanged | 2 | |
| <i>Tech Note: Fits 5610:</i> | | | | | |

All original equipment manufacturers names and part numbers are used for identification purposes only, and we are in no way implying that our products are original equipment parts. Prices subject to change without notice.



Replaces Toro Reelmaster 5610-D Parts

Traction Unit - Models 03677, 03678, 03679, 03690 & 03691
Hood & Body



| Item No | R&R Part No. | OEM Part No. | Description | Qty Req | Order Quantity |
|------------------------------|---------------------|---|----------------------------------|---------|----------------|
| 80 | R104-8300 | 104-8300, 104-8300 , 119-4041 | Locknut - 5/16-18 Flanged Y/Zinc | 6 | |
| <i>Tech Note: Fits 5610:</i> | | | | | |
| 81 | R110-5259-03 | 110-5259-03 | Bracket - Hood - Guide - Black | 2 | |
| <i>Tech Note: Fits 5610:</i> | | | | | |
| 82 | R3234-5 | 3234-5, 62-3310 | Bolt - 5/16-18x3/4 Hx Ser Was HD | 6 | |
| <i>Tech Note: Fits 5610:</i> | | | | | |
| 83 | R110-5253-01 | 110-5253-01 | Adapter-Hood, LH | 1 | |
| <i>Tech Note: Fits 5610:</i> | | | | | |
| 84 | R110-8946 | 110-8946 | Clamp - Radiator Frame | 2 | |
| <i>Tech Note: Fits 5610:</i> | | | | | |
| 85 | R3296-12 | 32127-20, 3296-12 | Nut - 10-32 Nylon Lock | 4 | |
| 86 | R3256-14 | 24-7-BD, 32125-2, 3256-14, 3256-51, 51-2170 | Washer - 10 Flat | 4 | |
| 88 | R32105-13 | 32105-13 | Screw - Hx Was HD 10-32 x 3/4 | 4 | |
| 89 | R283-61 | 283-61, 86-2140, N/A, R3296-12 | Pin - Clevis 5/16 x 1-1/8 | 2 | |

All original equipment manufacturers names and part numbers are used for identification purposes only, and we are in no way implying that our products are original equipment parts. Prices subject to change without notice.



Replaces Toro Reelmaster 5610-D Parts

*Traction Unit - Models 03677, 03678, 03679, 03690 & 03691
Hood & Body*



| Item No | R&R Part No. | OEM Part No. | Description | Qty Req | Order Quantity |
|---------|------------------|---|--------------------------|---------|----------------|
| 90 | R3256-22 | 24-9-BD, 3-1032, 3256-1, 3256-22, 93-0954, 93-0989 | Washer - Flat 1/4 Yellow | 12 | |
| 91 | R316797 | 321-13 | Bolt - 1/4-20 x 1-1/4 | 6 | |
| 92 | R106-6754 | 106-6754 | Decal - Danger | 1 | |
| 93 | R93-6689 | 01-506-0540, 75-5190, 92-5955, 93-6689, 93-9867 | Decal - No Riders | 1 | |

All original equipment manufacturers names and part numbers are used for identification purposes only, and we are in no way implying that our products are original equipment parts. Prices subject to change without notice.