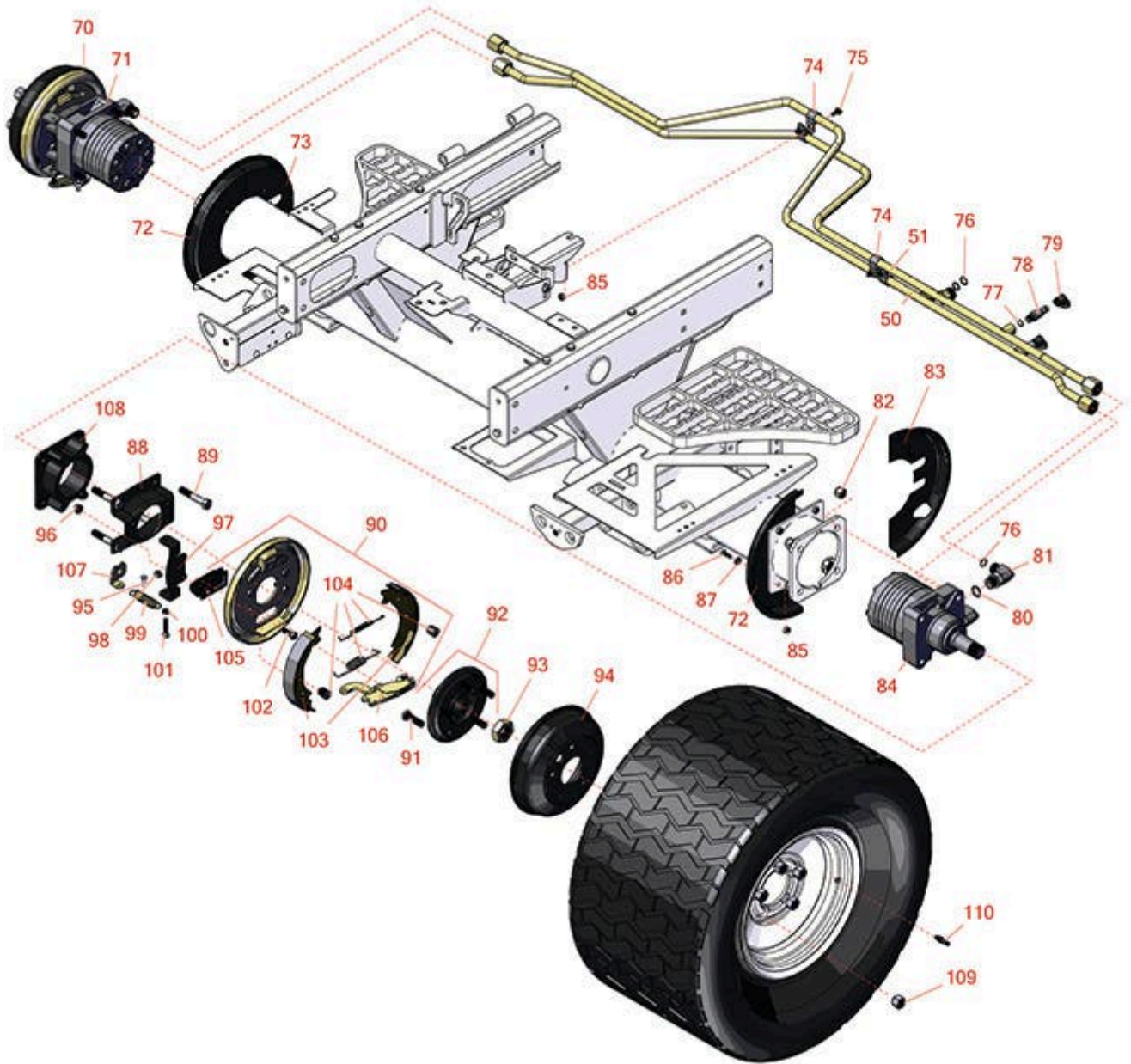




# Replaces Toro Reelmaster 5610-D Parts

Traction Unit - Models 03677, 03678, 03679, 03690 & 03691  
Front Wheel, Brakes & Hydraulics



All original equipment manufacturers names and part numbers are used for identification purposes only, and we are in no way implying that our products are original equipment parts. Prices subject to change without notice.



# Replaces Toro Reelmaster 5610-D Parts

*Traction Unit - Models 03677, 03678, 03679, 03690 & 03691  
Front Wheel, Brakes & Hydraulics*



Item No	R&R Part No.	OEM Part No.	Description	Qty Req	Order Quantity
<b>Hoses</b>					
50	<b>R108-7632</b>	108-7632	Tube Assy	2	
51	<b>R108-7633</b>	108-7633	Tube Assy	2	
<b>Other Parts Available</b>					
70	<b>R110-8871</b>	110-8871	Brake Assy - RH	1	
70	<b>R120-6260</b>	120-6260	Brake Assy - RH	1	
71	<b>R114-8858</b>	114-8858	Hydraulic Motor - Wheel RH	1	
71	<b>R110-8965</b>	110-8965	Hydraulic Motor - RH	1	
71	<b>R106-3875</b>	106-3875	Hydraulic Motor - Wheel RH	1	
71	<b>R114-8860</b>	114-8860	Hydraulic Motor - RH Wheel	1	
71	<b>R120-6265</b>	120-6265	Hydraulic Motor Assy (Cw)	1	
72	<b>R110-0950</b>	110-0950	Shield - Brake - Front	2	
73	<b>R110-8878</b>	110-8878	Shield-Wheel - Rear RH	1	
74	<b>R2412-134</b>	2412-134	R-Clamp	4	
75	<b>R3234-4</b>	3234-4	Bolt - Hx Ser Was HD 1/4-20 x 3/4	4	
76	<b>R237-65</b>	237-65, 237.65	O-Ring	2	
77	<b>R237-42</b>	237-42, 31-4160	O-Ring	2	
78	<b>R59-7410</b>	59-7410	Tip-Nipple	2	
79	<b>R354-79</b>	354-79	Cap-Dust	2	
80	<b>R237-80</b>	237-80, 327-80	O-Ring	4	

All original equipment manufacturers names and part numbers are used for identification purposes only, and we are in no way implying that our products are original equipment parts. Prices subject to change without notice.



## Replaces Toro Reelmaster 5610-D Parts

Traction Unit - Models 03677, 03678, 03679, 03690 & 03691  
Front Wheel, Brakes & Hydraulics



Item No	R&R Part No.	OEM Part No.	Description	Qty Req	Order Quantity
81	<b>R340-17</b>	340-17	No 10 Male Orfs x No 10 Male Orb	4	
82	<b>RF5003</b>	32127-29, 32131-5, 32132-5, 3296-23	Locknut - ESNA 1/2-13	8	
83	<b>R110-0951</b>	110-0951	Shiel D- Wheel - Rear LH	1	
84	<b>R114-8857</b>	114-8857	Hydraulic Motor - Wheel LH	1	
84	<b>R106-3874</b>	106-3874	Hydraulic Motor - Wheel LH	1	
84	<b>R110-8964</b>	110-8964	Hydraulic Motor - LH	1	
84	<b>R114-8859</b>	114-8859	Hydraulic Motor - LH Wheel	1	
84	<b>R120-6264</b>	120-6264	Hydraulic Motor Assy (Ccw)	1	
85	<b>R301504</b>	2296-42, 301504, 32127-24, 32128-33, 32146-17, 3296-16, 3296-42, 3296-42 , 915661P	Locknut - ESNA 1/4-20	8	
86	<b>R321-4</b>	01-150-1030, 01-178-0406, 20-3-AGD, 321-4, 3222-1	Bolt - Hex HD 1/4-20 x 3/4	8	

All original equipment manufacturers names and part numbers are used for identification purposes only, and we are in no way implying that our products are original equipment parts. Prices subject to change without notice.



## Replaces Toro Reelmaster 5610-D Parts

*Traction Unit - Models 03677, 03678, 03679, 03690 & 03691  
Front Wheel, Brakes & Hydraulics*



Item No	R&R Part No.	OEM Part No.	Description	Qty Req	Order Quantity
87	<b>R453009</b>	01-166-0400, 24-10-BD, 24-9-AD, 32-9650, 3256-2, 3256-23, 3256-3, 3256-67, 3290-217, 3556-3, 4-2390, 7-0152	Washer - Flat 5/16 SAE	8	
88	<b>R110-5343-03</b>	110-5343-03	Bracket-Brake	1	
89	<b>R325-11</b>	01-150-0330, 20-92-AGD, 325-11, 325-9	Bolt - Hex HD 1/2-13 x 2-3/4	8	
90	<b>R110-8872</b>	110-8872	Brake Assy - LH	1	
90	<b>R120-6261</b>	120-6261	Brake Assy - LH	1	
91	<b>R10-6830</b>	10-6830, 75-9440	Stud - Wheel 1/2-20 x 1 3/4	10	
91	<b>R114-3918</b>	1-633926, 114-3918	Stud - Wheel	10	
92	<b>R114-8876</b>	114-8876	Hub Assy	2	
92	<b>R110-9046</b>	106-3605, 110-9046	Hub - Wheel	2	
92	<b>R120-6255</b>	120-6255	Hub Assy w/Studs	2	
92	<b>R121-5631</b>	121-5621, 121-5631	Hub Assy	2	
93	<b>R26-3790</b>	26-3790	Nut - Hex - Wheel Motor 1-20	2	
94	<b>R108-6980</b>	108-6980	Drum - Brake	2	

All original equipment manufacturers names and part numbers are used for identification purposes only, and we are in no way implying that our products are original equipment parts. Prices subject to change without notice.



## Replaces Toro Reelmaster 5610-D Parts

*Traction Unit - Models 03677, 03678, 03679, 03690 & 03691  
Front Wheel, Brakes & Hydraulics*



Item No	R&R Part No.	OEM Part No.	Description	Qty Req	Order Quantity
94	<b>R114-8864</b>	114-8864	Drum - Brake	2	
95	<b>R283-62</b>	283-62	Pin - Clevis 5/16 x 3/4	2	
96	<b>R3296-39</b>	32127-25, 32128-36, 3290-357, 3296-17, 3296-22, 3296-39, 915663P, 99-7443	Locknut - 3/8-16 Nylon	8	
97	<b>R117-0203-03</b>	117-0203-03	Bracket- Brake Spring	2	
98	<b>R104-8300</b>	104-8300, 104-8300 , 119-4041	Locknut - 5/16-18 Flanged Y/Zinc	2	
99	<b>R87-4020</b>	87-4020	Spring - Extension	2	
100	<b>RP457-2</b>	01-191-0518, 22-12-AJK, 3218-2, 513299, P457-2	Nut - Jam 5/16-18 Zinc	2	
101	<b>R322-7</b>	01-150-0750, 01-150-0760, 01-178-0512, 20-28-AD, 20-28-AGD, 322-7, 3223-4	Bolt - Hex HD 5/16-18 x 1-1/2	2	
102	<b>R323-6</b>	01-150-0010, 01-178-0608, 20-47-AD, 20-47-AGD, 3224-2, 323-6, 49-3510, 908034P, 908332	Bolt - Hex HD 3/8-16 x 1 GR5 YZ	8	

All original equipment manufacturers names and part numbers are used for identification purposes only, and we are in no way implying that our products are original equipment parts. Prices subject to change without notice.



## Replaces Toro Reelmaster 5610-D Parts

*Traction Unit - Models 03677, 03678, 03679, 03690 & 03691  
Front Wheel, Brakes & Hydraulics*



Item No	R&R Part No.	OEM Part No.	Description	Qty Req	Order Quantity
103	<b>R108-6981</b>	108-6981	Brake Shoe Kit - Set/2	2	
104	<b>R108-6983</b>	108-6983	Brake Hardware Kit	2	
105	<b>R110-8885</b>	110-8885	Dust Boot Kit - Brake	2	
106	<b>R110-8910</b>	110-8910	Actuator Kit - LH	1	
106	<b>R110-8884</b>	110-8884	Actuator Kit - RH	1	
107	<b>R120-6267</b>	120-6267	Clip - Spring - LH	2	
107	<b>R120-6266</b>	120-6266	Clip - Spring - RH	2	
108	<b>R120-6253-03</b>	120-6253-03	Adapter-Brake	2	
109	<b>R242-50</b>	242-50	Nut - 1/2-20 Wheel	10	
110	<b>R232-27</b>	232-27, 232-31	Stem - Valve w/ Cap	2	

All original equipment manufacturers names and part numbers are used for identification purposes only, and we are in no way implying that our products are original equipment parts. Prices subject to change without notice.