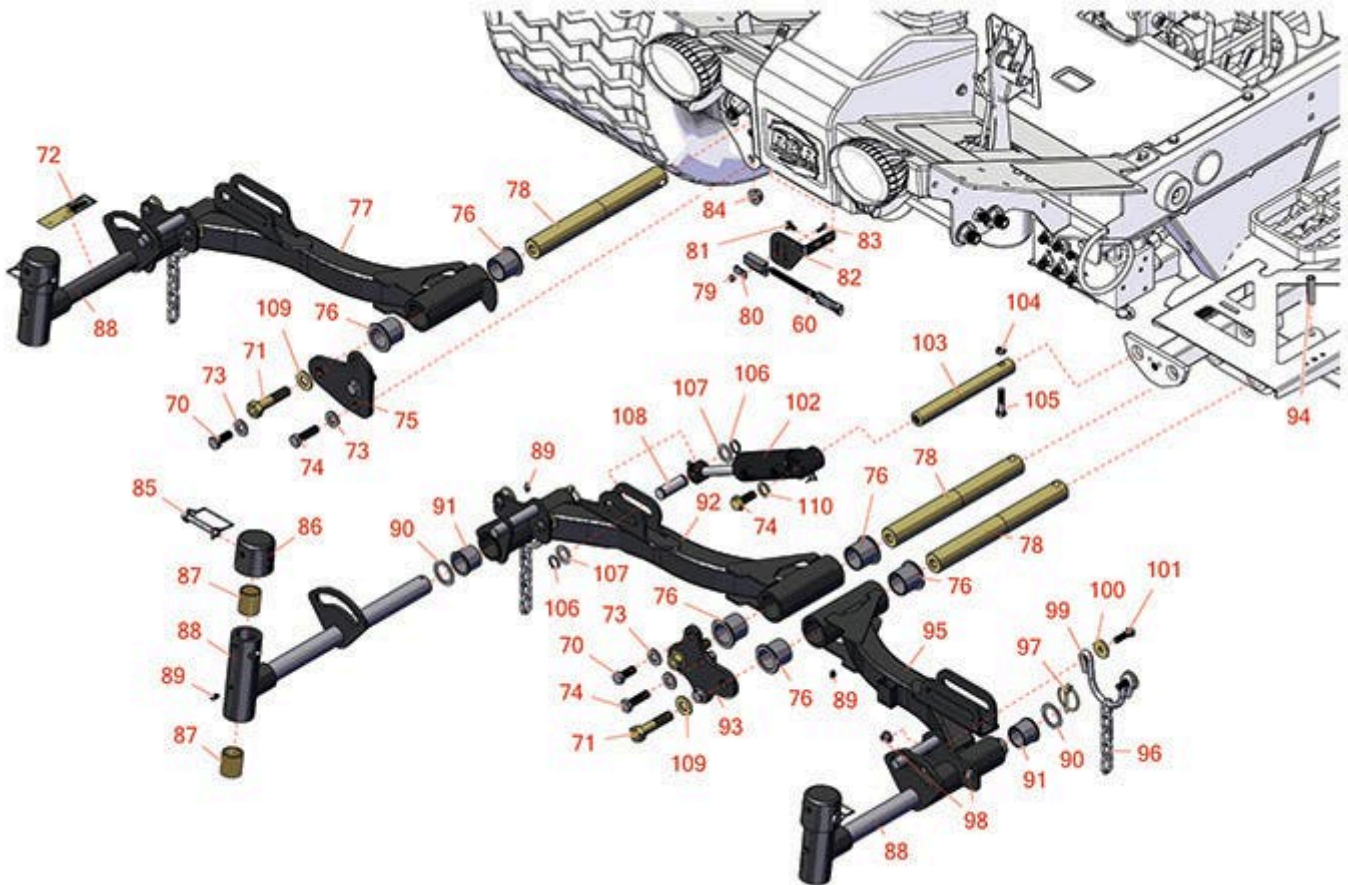




Replaces Toro Reelmaster 5610-D Parts

Traction Unit - Models 03677, 03678, 03679, 03690 & 03691
Front Lift Arm



All original equipment manufacturers names and part numbers are used for identification purposes only, and we are in no way implying that our products are original equipment parts. Prices subject to change without notice.



Replaces Toro Reelmaster 5610-D Parts

Traction Unit - Models 03677, 03678, 03679, 03690 & 03691
Front Lift Arm



Item No	R&R Part No.	OEM Part No.	Description	Qty Req	Order Quantity
Gauges and Controls					
60	R105-0023	105-0023	Sensor - Proximity	1	
Other Parts Available					
70	R325-5	01-150-0250, 01-178-0810, 19-8000, 20-86-AGD, 3226-1, 325-5, 513375	Bolt - Hex HD 1/2-13 x 1-1/4	2	
70	R400438	3213-1	Bolt - Hex HD 1/2-20 x 1	2	
71	R327-7	01-150-0700, 01-150-0710, 01-178-1020, 20-125-AGD, 20-126-AGD, 327-7	Bolt - Hx HD	3	
71	R325-8	01-150-0590, 01-178-0816, 20-89-AGD, 3226-4, 325-8	Bolt	3	
72	R110-9642	110-9642	Decal	1	
73	R87-7270-01	87-7270, 87-7270-01	Washer - Flat 1/2	2	
74	R325-7	01-150-0380, 01-178-0814, 3226-3, 325-7, 48-9490	Bolt - 1/2-13 x 1 3/4 Hex HD Gr 5	4	
74	R3234-38	3234-38	Bolt - Flanged Hex 1/2-13 x 1-1/4	4	
75	R110-0939-01	110-0939-01	Plate - Bridge - 5	1	

All original equipment manufacturers names and part numbers are used for identification purposes only, and we are in no way implying that our products are original equipment parts. Prices subject to change without notice.



Replaces Toro Reelmaster 5610-D Parts

Traction Unit - Models 03677, 03678, 03679, 03690 & 03691
Front Lift Arm



Item No	R&R Part No.	OEM Part No.	Description	Qty Req	Order Quantity
75	R117-5153-01	117-5153-01	Plate-Bridge 5	1	
76	R69-6470	69-6470	Bushing - Flanged	6	
77	R110-0995	110-0995	Lift Arm - No. 5	1	
78	R95-8531	95-8531	Pivot Shaft	3	
78	R117-0208	117-0208	Shaft- Pivot - Lift Arm	3	
79	R3296-2	32127-10, 3296-2, 9157404	Nut - #10 Lock	1	
80	R100-4872	100-4872, 104-7702	Plate-Switch - Neutral	1	
81	R3229-1	01-173-0406, 01-178-0408, 3229-1, 3229-25, 900015P	Bolt - 1/4-20 x 3/4 - Carriage	2	
82	R110-0919	110-0919	Bracket-Switch	1	
83	R3229-34	3229-34	Bolt- Carriage 10	1	
84	R301504	2296-42, 301504, 32127-24, 32128-33, 32146-17, 3296-16, 3296-42, 3296-42 , 915661P	Locknut - ESNA 1/4-20	2	
85	R107-7400	107-7400	Pin - Lynch	3	
86	R107-4027	107-4027	Cap - Pivot Yoke	3	
87	R256-254	256-254	Bushing 1-1/8 x 1.375 x 1.5	6	

All original equipment manufacturers names and part numbers are used for identification purposes only, and we are in no way implying that our products are original equipment parts. Prices subject to change without notice.



Replaces Toro Reelmaster 5610-D Parts

Traction Unit - Models 03677, 03678, 03679, 03690 & 03691
Front Lift Arm



Item No	R&R Part No.	OEM Part No.	Description	Qty Req	Order Quantity
88	R107-2052	107-2052, 138-1248	Pivot Yoke Assy	3	
89	R302-5	21-6010, 302-11, 302-37, 302-47, 302-5, 302-57, 302-58, 302-6, 31-0300, 32-9660, 60-0800, 62-3880, 92-4181	Fitting - Grease	5	
90	R76-2980	76-2980	Washer - Thrust	6	
91	R104-0015	104-0015, 104-8339	Bushing - Flanged	4	
92	R110-0991	110-0991	Lift Arm - No. 1	1	
93	R110-0938-01	110-0938-01	Plate - Bridge	1	
93	R117-5154-01	117-5154-01	Plate-Bridge 1 and 4	1	
94	R32121-122	01-153-0140, 32121-122	Pin - Roll 1/2 x 2	3	
95	R114-8874	114-8874	Lift Arm - No. 4	1	
95	R110-0994	110-0994	Lift Arm - No. 4	1	
96	R84-2451	84-2451	Chain - Straight 5	3	
96	R84-2450	84-2450	Chain - Straight 4	3	
97	R92-1298	92-1298	Pin - Klik	3	

All original equipment manufacturers names and part numbers are used for identification purposes only, and we are in no way implying that our products are original equipment parts. Prices subject to change without notice.



Replaces Toro Reelmaster 5610-D Parts

Traction Unit - Models 03677, 03678, 03679, 03690 & 03691
Front Lift Arm



Item No	R&R Part No.	OEM Part No.	Description	Qty Req	Order Quantity
98	R104-8301	104-8301, 104-9301, 109-6658, 133-7570	Locknut - 3/8-16 Nylon Flanged	6	
99	R110-0922	110-0922	Hoop - Chain	3	
100	R63-8410	53-6380, 63-4810, 63-8410	Washer - Isolator Bushing	6	
101	R400264	01-150-0180, 01-178-0610, 20-48-AD, 20-48-AGD, 32-9160, 3224-3, 323-29, 323-7, 400264, 908035P	Bolt - Hex HD 3/8-16 x 1-1/4	6	
102	R119-6988	119-6988	Hydraulic Cylinder	1	
103	R117-0148	117-0148	Pin - Hyd Cyl	3	
104	R3296-59	3296-59	Locknut - 3/8-16 Nylon Jam	3	
105	R323-9	01-150-0190, 01-150-1540, 01-178-0614, 107229, 20-50-AD, 20-50-AGD, 30-9430, 32105-4, 3224-5, 323-9, 513363, 513364, 5377, 908037P	Bolt - Hex HD 3/8-16 x 1-3/4	3	
106	R32120-93	32120-93	Snap Ring - HD	6	

All original equipment manufacturers names and part numbers are used for identification purposes only, and we are in no way implying that our products are original equipment parts. Prices subject to change without notice.



Replaces Toro Reelmaster 5610-D Parts

Traction Unit - Models 03677, 03678, 03679, 03690 & 03691
Front Lift Arm



Item No	R&R Part No.	OEM Part No.	Description	Qty Req	Order Quantity
107	R3-6498	3--6498, 3-6498, 47-8270	Washer - Thrust	6	
108	R104-0046	104-0046	Pin - Slide - Cylinder	3	
109	R99-7667	99-7667	Washer - Flat 5/8	3	
110	R453017	01-166-0050, 01-166-0240, 01-166-0800, 24-13-AD, 24-14-AD, 32-8110, 3256-26, 3256-6, 453017, 69-8980, 87-7270	Washer - Flat 1/2	3	

All original equipment manufacturers names and part numbers are used for identification purposes only, and we are in no way implying that our products are original equipment parts. Prices subject to change without notice.