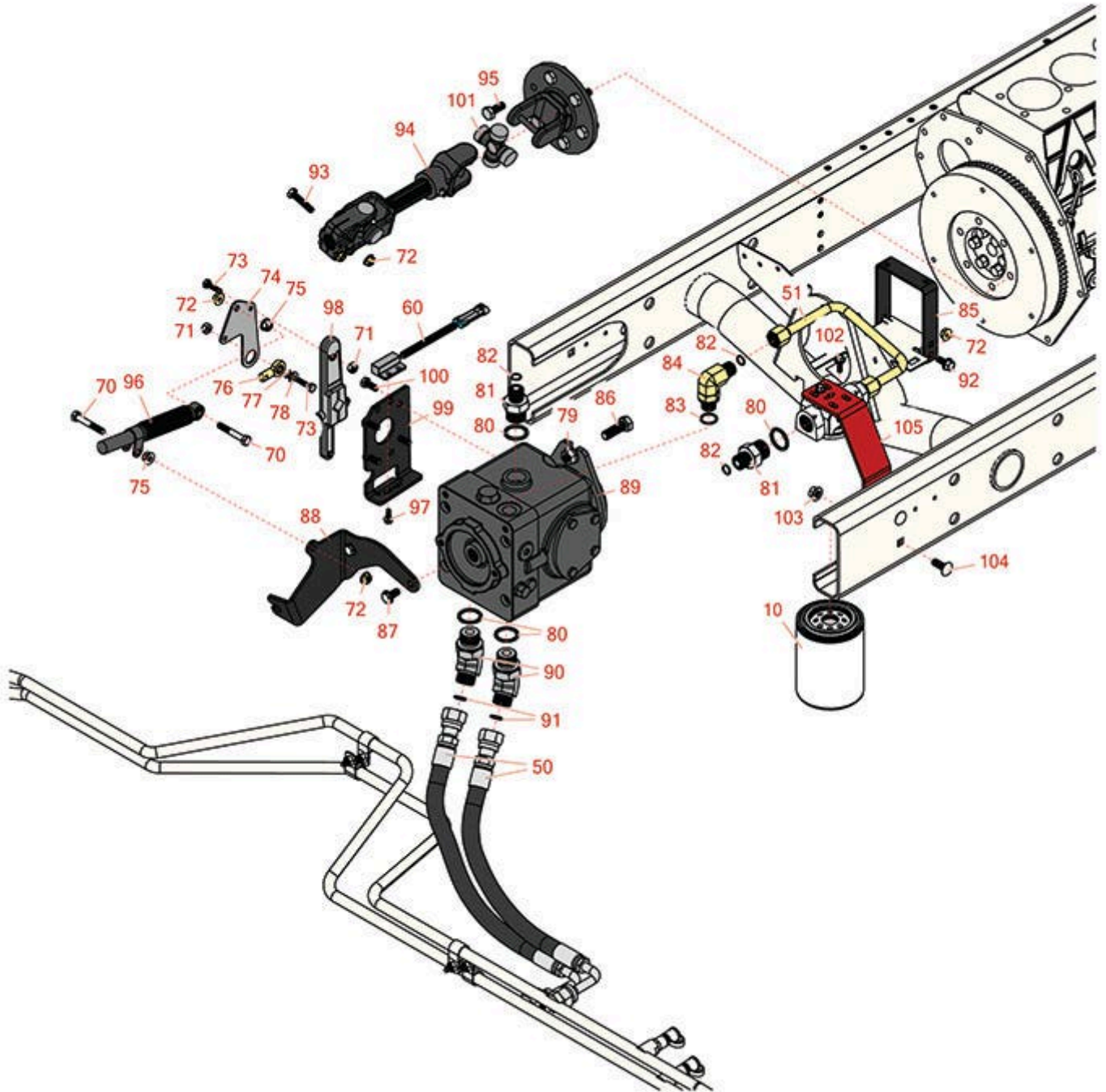




Replaces Toro Reelmaster 5610-D Parts

Traction Unit - Models 03677, 03678, 03679, 03690 & 03691
Driveshaft & Hydraulic Pump



All original equipment manufacturers names and part numbers are used for identification purposes only, and we are in no way implying that our products are original equipment parts. Prices subject to change without notice.



Replaces Toro Reelmaster 5610-D Parts

Traction Unit - Models 03677, 03678, 03679, 03690 & 03691
Driveshaft & Hydraulic Pump



Item No	R&R Part No.	OEM Part No.	Description	Qty Req	Order Quantity
Hoses					
10	R86-3010	23-9740, 239470, 28-1370, 281370, 353-387, 353387, 54-0110, 540110, 76-6490, 86-3010, 863010, Dec-70	Baldwin Hydraulic Oil Filter	1	
Filters					
50	R108-1679	108-1679	Hydraulic Hose Assy	2	
51	R108-1714	108-1714	Tube Assy	1	
Gauges and Controls					
60	R100-1270	100-1270	Sensor - Proximity	1	
Other Parts Available					
70	R322-10	20-30-AD, 24-7180, 322-10, 322-10 , 3223-6, 513347	Bolt - Hex HD 5/16-18 x 2	2	
71	R301504	2296-42, 301504, 32127-24, 32128-33, 32146-17, 3296-16, 3296-42, 3296-42 , 915661P	Locknut - ESNA 1/4-20	2	

All original equipment manufacturers names and part numbers are used for identification purposes only, and we are in no way implying that our products are original equipment parts. Prices subject to change without notice.



Replaces Toro Reelmaster 5610-D Parts

Traction Unit - Models 03677, 03678, 03679, 03690 & 03691
Driveshaft & Hydraulic Pump



Item No	R&R Part No.	OEM Part No.	Description	Qty Req	Order Quantity
72	R104-8300	104-8300, 104-8300 , 119-4041	Locknut - 5/16-18 Flanged Y/Zinc	6	
73	RP1471-1	01-150-1400, 20-5-AD, 30-8880, 321-6, 321-6 , 3222-2, 513320, Mar-97	Bolt - Hex HD 1/4-20 x 1	2	
74	R108-7639-03	108-7639-03	Plate	1	
<i>Tech Note: Fits 2006-2009:</i>					
75	R445722	30-8980, 32128-2, 32128-20, 32128-20 , 445722	Nut - Serrated Washer	2	
76	R2411-41	2411-41	Rod End - Ball Joint	1	
77	R24M7139	24M7139, 3256-16, 33093-00, 43-5930	Washer - Flat 6mm	1	
78	R3256-22	24-9-BD, 3-1032, 3256-1, 3256-22, 93-0954, 93-0989	Washer - Flat 1/4 Yellow	1	
79	R32128-49	32128-49	Nut - 1/2-13 Hex Flange	2	
80	R237-81	237-81, 237.81, 327-81	O-Ring	2	
81	R100-4240	100-4240	No 8 Orfs Male x No 12 Orb Male	3	

All original equipment manufacturers names and part numbers are used for identification purposes only, and we are in no way implying that our products are original equipment parts. Prices subject to change without notice.



Replaces Toro Reelmaster 5610-D Parts

Traction Unit - Models 03677, 03678, 03679, 03690 & 03691
Driveshaft & Hydraulic Pump



Item No	R&R Part No.	OEM Part No.	Description	Qty Req	Order Quantity
82	R237-30	23-6320, 237-30	O-Ring - Seal	2	
83	R237-80	237-80, 327-80	O-Ring	1	
84	R340-105	340-105	Hydraulic Fitting	1	
85	R108-1799-03	108-1799-03	Hoop-Guard	1	
86	R3234-32	3234-32, 3434-32	Bolt - 1/2-13 x 1 1/4 Hex Flange Bolt	2	
<i>Tech Note: Fits 2006-2009:</i>					
86	R3234-38	3234-38	Bolt - Flanged Hex 1/2-13 x 1-1/4	2	
<i>Tech Note: Fits 2010 & Up:</i>					
87	R3234-1	321-11, 3234-1	Bolt - Flanged Serrated Hex HD 3/8-16 x 3/4	2	
88	R110-5323-03	110-5323-03	Bracket	1	
89	R107-4470	107-4470	Variable Pump Assy	1	
90	R340-156	340-156	Hydraulic Fitting	2	
91	R237-65	237-65, 237.65	O-Ring	2	
92	R3234-5	3234-5, 62-3310	Bolt - 5/16-18x3/4 Hx Ser Was HD	2	
93	R19H3130	322-9, 3223-5	Bolt - Hex HD 5/16-18 x 1-3/4	2	
94	R108-1641	108-1641	Driveshaft Assy	1	
95	R43-0090	43-0090, 95-8812	Bolt - 10mm x 1.25 x 25 Hex HD	6	

All original equipment manufacturers names and part numbers are used for identification purposes only, and we are in no way implying that our products are original equipment parts. Prices subject to change without notice.



Replaces Toro Reelmaster 5610-D Parts

*Traction Unit - Models 03677, 03678, 03679, 03690 & 03691
Driveshaft & Hydraulic Pump*



Item No	R&R Part No.	OEM Part No.	Description	Qty Req	Order Quantity
96	R76-8870	105-7280, 76-8870	Lever Damper Assy	1	
97	R112-0153	112-0153	Screw - Soc HD 6M-1.0 x 16	2	
98	R112-0156	112-0156	Arm - Control	1	
99	R112-0152	112-0152	Bracket - Neutral Start Switch	1	
100	R112-0150	112-0150	Bolt - Hex HD M8-1.25 x 20	4	
101	R54-9180	54-9180, 99-6570	Kit - U-Joint	2	
102	R3234-33	3234-33	Bolt - 1/4-20 x 3/4 Serr Hex Flanged	2	
103	R104-8301	104-8301, 104-9301, 109-6658, 133-7570	Locknut - 3/8-16 Nylon Flanged	2	
104	R3231-2	01-157-0170, 01-173-0608, 3231-2, 3231-22, 3231-28, 900063P	Bolt - Carriage 3/8-16 x 1	2	
105	R110-0906-01	110-0906-01	Support -Oil Filter	1	

All original equipment manufacturers names and part numbers are used for identification purposes only, and we are in no way implying that our products are original equipment parts. Prices subject to change without notice.