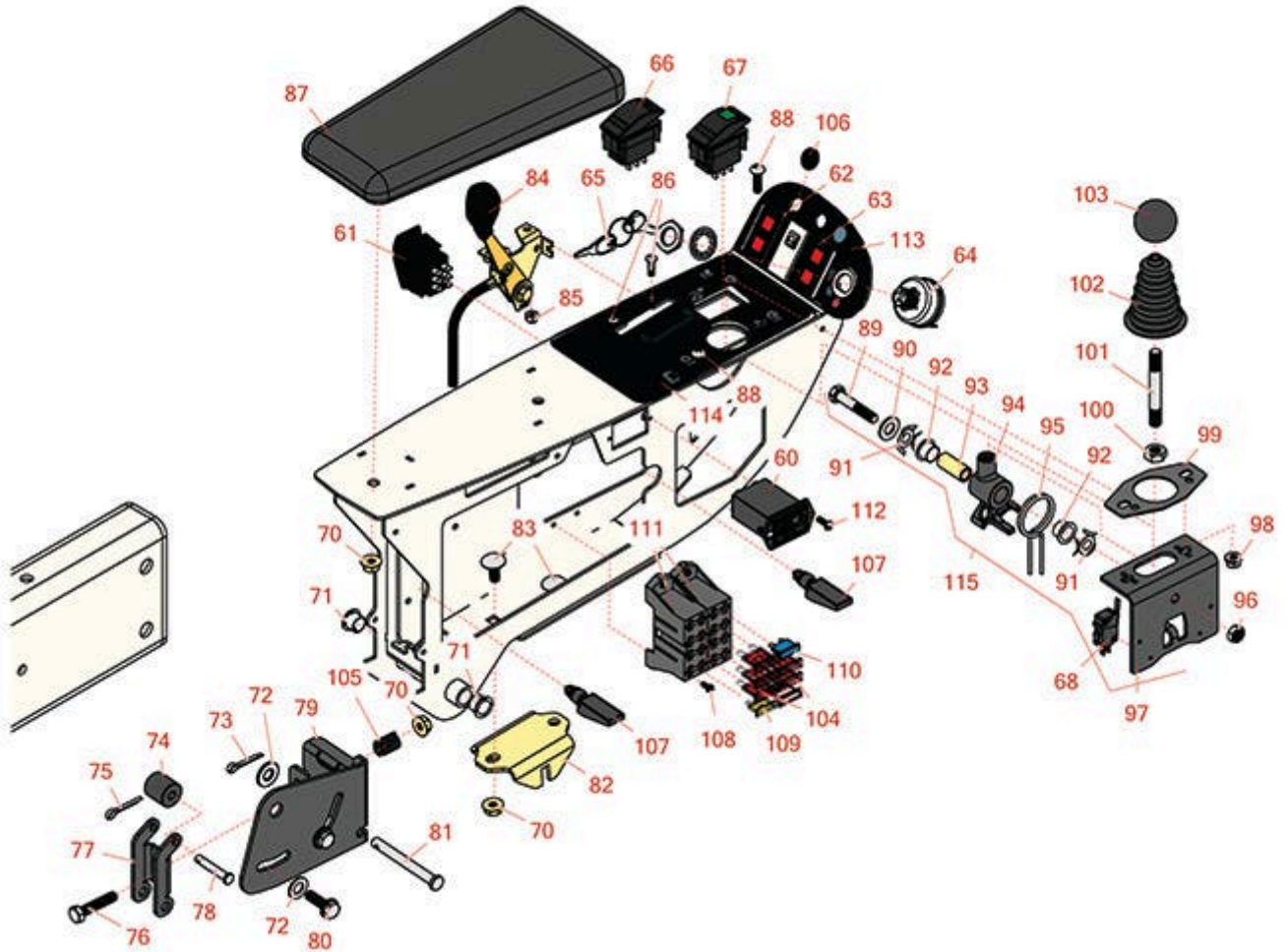




Replaces Toro Reelmaster 5610-D Parts

Traction Unit - Models 03677, 03678, 03679, 03690 & 03691
Console & Controls



All original equipment manufacturers names and part numbers are used for identification purposes only, and we are in no way implying that our products are original equipment parts. Prices subject to change without notice.



Replaces Toro Reelmaster 5610-D Parts

Traction Unit - Models 03677, 03678, 03679, 03690 & 03691
Console & Controls



Item No	R&R Part No.	OEM Part No.	Description	Qty Req	Order Quantity
Gauges and Controls					
60	R75-6820	75-6820	Meter - Hour - Quartz	1	
61	R95-8999	95-8999	Switch - Headlight	1	
62	R100-8071	100-8071	Lamp - Warning	1	
63	R100-8070	100-8070	Lamp - Warning	1	
64	R104-2541	104-2541, 88-9830	Switch - Key 6 Lead 5/8 Mt.	1	
65	R343060	218-412, 32-8380, 33-2010, 62-7770, 63-8360, 94-2618	Ignition - Key Set/2	1	
66	R100-1535	100-1535, 100-8492	Switch	1	
67	R105-4232	105-4232	Switch - Enable-Disable	1	
68	R108-6496	108-6496	Micro Switch w/Boot	2	
Other Parts Available					
70	R104-8300	104-8300, 104-8300 , 119-4041	Locknut - 5/16-18 Flanged Y/Zinc	5	
71	R256-257	256-257, 256-295	Nyliner Bushing	2	

All original equipment manufacturers names and part numbers are used for identification purposes only, and we are in no way implying that our products are original equipment parts. Prices subject to change without notice.



Replaces Toro Reelmaster 5610-D Parts

Traction Unit - Models 03677, 03678, 03679, 03690 & 03691
Console & Controls



Item No	R&R Part No.	OEM Part No.	Description	Qty Req	Order Quantity
72	R453009	01-166-0400, 24-10-BD, 24-9-AD, 32-9650, 3256-2, 3256-23, 3256-3, 3256-67, 3290-217, 3556-3, 4-2390, 7-0152	Washer - Flat 5/16 SAE	2	
73	R3272-10	01-151-0120, 105-7512, 3272-10, N/A	Pin - Cotter 1/8 x 3/4	1	
74	R110-8856	110-8856	Spacer	1	
75	R3272-1	3272-1, 3272-51, 352-111, 352-142, 58-1480	Pin-Cotter	1	
76	R322-7	01-150-0750, 01-150-0760, 01-178-0512, 20-28-AD, 20-28-AGD, 322-7, 3223-4	Bolt - Hex HD 5/16-18 x 1-1/2	1	
77	R110-5314	110-5314	Latch	1	
78	R283-73	283-73	Pin-Clevis	1	
79	R110-5313-03	110-5313-03	Bracket - Retainer	1	
80	R3234-29	3234-17, 3234-29	Bolt - 5/16-18x1 Serr Hex	2	
81	R283-88	283-88	Pin-Clevis	1	

All original equipment manufacturers names and part numbers are used for identification purposes only, and we are in no way implying that our products are original equipment parts. Prices subject to change without notice.



Replaces Toro Reelmaster 5610-D Parts

Traction Unit - Models 03677, 03678, 03679, 03690 & 03691
Console & Controls



Item No	R&R Part No.	OEM Part No.	Description	Qty Req	Order Quantity
82	R110-5340	110-5340	Latch Assy	1	
83	R3230-23	3230-23, Mar-61	Bolt - 5/16-18x3/4 - Carriage	2	
84	R110-0913	110-0913	Control-Throttle	1	
<i>Tech Note: Fits 5510-5610 - 2006:</i>					
84	R114-8886	114-8886	Control-Throttle	1	
<i>Tech Note: Fits 5210-5410 - 2006 & Up & 5510-5610 - 2007 & Up:</i>					
85	R3296-12	32127-20, 3296-12	Nut - 10-32 Nylon Lock	2	
86	R3290-134	3290-134	Screw - 10-24x5/8 Hh Ms	2	
87	R108-7602	108-7602	Arm Rest	1	
88	R3258-166	3258-166	Screw-Ph Rnd HD	2	
89	R19H3130	322-9, 3223-5	Bolt - Hex HD 5/16-18 x 1-3/4	1	

All original equipment manufacturers names and part numbers are used for identification purposes only, and we are in no way implying that our products are original equipment parts. Prices subject to change without notice.



Replaces Toro Reelmaster 5610-D Parts

Traction Unit - Models 03677, 03678, 03679, 03690 & 03691
Console & Controls



Item No	R&R Part No.	OEM Part No.	Description	Qty Req	Order Quantity
90	R453011	01-166-0100, 01-166-0120, 01-166-0270, 01-166-0500, 01-166-0600, 01-166-0620, 132-4593, 2356-3, 237-12, 24-10-AD, 24-11-AD, 24-11-BD, 24-12-AD, 24-12-BD, 30-9310, 32-8190, 3256-24, 3256-3, 3256-36, 3256-4, 453011, 47-9950, 48-9220, 513458, 7-0052	Washer - Flat 3/8 SAE Y/Zinc	1	
91	R106-4193	106-4193	Washer - Finger, Spr	2	
92	R93-5547	93-5547	Bushing-Nylon	2	
92	R106-4192	106-4192	Spacer	1	
94	R105-7507	105-7507	Pivot - Joystick	1	
95	R105-8289	105-8289, 93-5509	Spring-Torsion	1	
96	R3296-29	1-804256, 3290-357, 3296-29, 915662P	Locknut - 5/16-18 ESNA	1	
97	R106-4168-03	105-8287-03, 106-4168-03	Bracket- Joystick	1	

All original equipment manufacturers names and part numbers are used for identification purposes only, and we are in no way implying that our products are original equipment parts. Prices subject to change without notice.



Replaces Toro Reelmaster 5610-D Parts

Traction Unit - Models 03677, 03678, 03679, 03690 & 03691
Console & Controls



Item No	R&R Part No.	OEM Part No.	Description	Qty Req	Order Quantity
97	R115-5357-03	115-5357-03	Bracket - Joystick	1	
98	R104-7201	104-7201	Locknut - 1/4-20 ESNA Flanged	2	
99	R112-9181	106-4188-03, 112-9181	Plate-Boot	1	
100	R3218-3	01-191-0616, 22-13-AJKD, 3218-3, 915236P	Nut - 3/8-16 Jam	1	
101	R105-8288	105-8288	Rod-Joystick	1	
102	R93-5961	93-5961	Dust Guard - Shifter	1	
103	R233-42	1-603175, 120-9752, 233-42, 233-47	Knob	1	
104	R218-578	218-578, 95-2438	Fuse - 10 Amp	6	
105	R110-5331	110-5331	Spring - Compression	1	
106	R2410-64	2410-64	Plug-Button	1	
107	R74-5950	249-48, 74-5950	Latch - Swell	2	
108	R150291	32144-87	Screw - 8 x 1/2 Sheet Metal	4	
109	R150812	109102, 109355, 150812, 218-581	Fuse - 15 Amp	1	
110	R94-6710	94-6710	Fuse-Blade, 2 Amp	1	
111	R85-4650	85-4650	Fuse Holder Block	1	
112	R32144-18	32144-18	Screw - Hex HD	2	

All original equipment manufacturers names and part numbers are used for identification purposes only, and we are in no way implying that our products are original equipment parts. Prices subject to change without notice.



Replaces Toro Reelmaster 5610-D Parts

*Traction Unit - Models 03677, 03678, 03679, 03690 & 03691
Console & Controls*



Item No	R&R Part No.	OEM Part No.	Description	Qty Req	Order Quantity
113	R110-0984	110-0984	Decal-Console	1	
114	R110-0998	110-0998	Decal-Panel, Contr	1	
115	R106-4167	106-4167	Joystick Bracket Assy	1	

All original equipment manufacturers names and part numbers are used for identification purposes only, and we are in no way implying that our products are original equipment parts. Prices subject to change without notice.