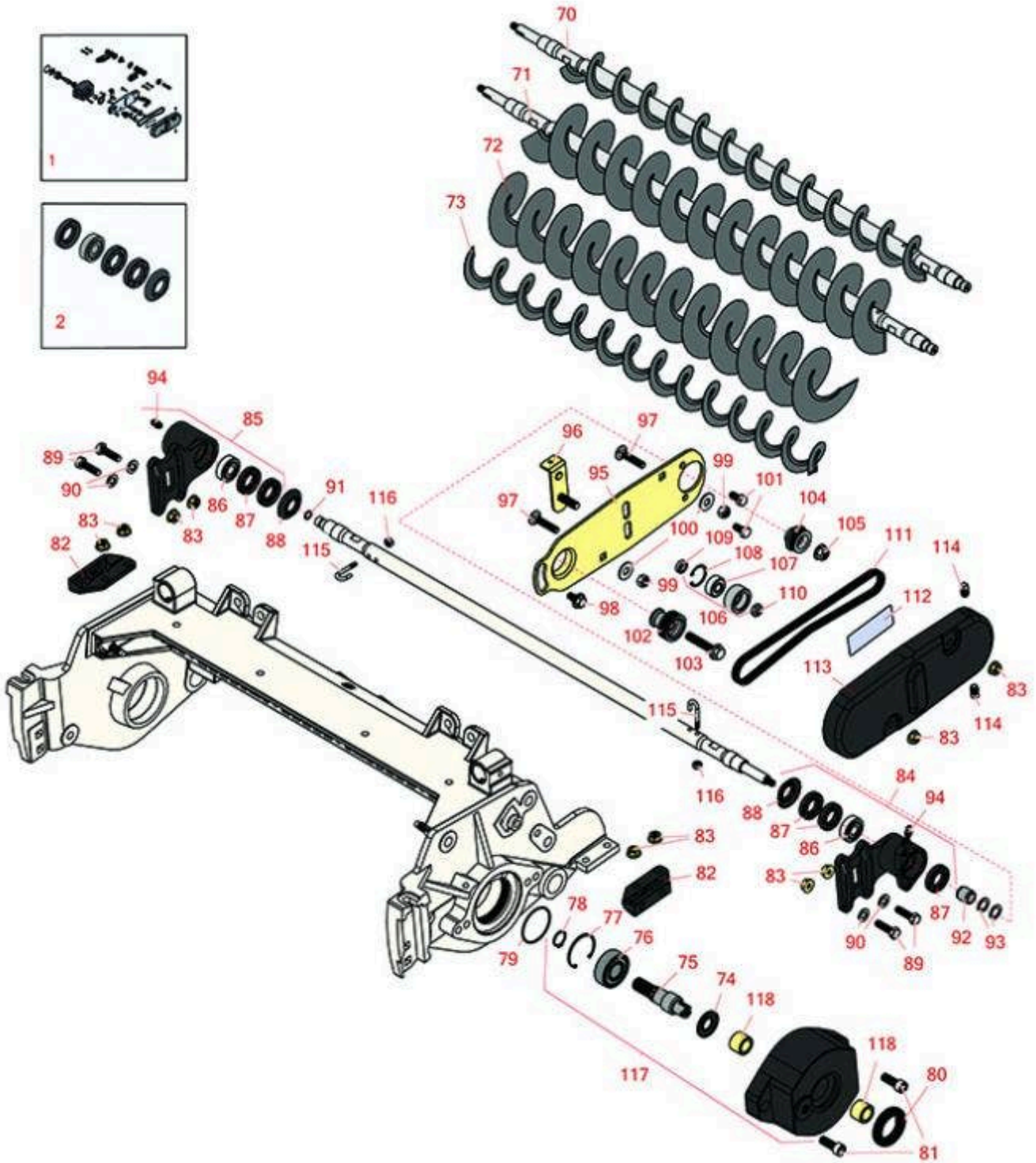




Replaces Toro Reelmaster 5610-D Parts

DPA Cutting Unit - Models 03681, 03682, 03696 & 03697
Rear Roller Brush - Model 03683



All original equipment manufacturers names and part numbers are used for identification purposes only, and we are in no way implying that our products are original equipment parts. Prices subject to change without notice.



Replaces Toro Reelmaster 5610-D Parts

DPA Cutting Unit - Models 03681, 03682, 03696 & 03697

Rear Roller Brush - Model 03683



Item No	R&R Part No.	OEM Part No.	Description	Qty Req	Order Quantity
Complete Roller Brush Kits					
1	R150907	03683	Brush Kit - Rear Roller - Less Brush	1	
<i>Tech Note: R150915 or R150916 must also be added:</i>					
Overhaul Kits					
2	R110-4086	110-4086	Kit - Bearing	1	
<i>Tech Note: Includes 1 ea: R95-0707 Bearing, R108-4172 Seal; & 3 ea: R106-8530 Seal:</i>					
Other Parts Available					
70	R150915	108-4190	Shaft Assy - Rear Roller Brush - 2 in Keyed	1	
<i>Tech Note: (2007 & Prior):</i>					
71	R150916		Shaft Assy - Rear Roller Brush 3.5 in - Keyed	1	
<i>Tech Note: (2007 & Prior):</i>					
72	R110-1740	110-1740	Brush-Roller (High HOC) 3.5 in OD	1	
73	R108-4193	108-4193	Brush - Roller - 2 OD	1	
74	R107-7795	107-7795	Seal - Oil	1	
75	R108-4234	108-4234	Shaft - Drive	1	
76	R93-2559	93-2559	Bearing	1	
77	R32120-62	32120-62	Ring - Retaining	1	
78	R458013	30-0580, 32120-72, 458013, 93-2525, 936125	Ring - Retaining	1	
79	R112-6967	112-6967	O-Ring	1	

All original equipment manufacturers names and part numbers are used for identification purposes only, and we are in no way implying that our products are original equipment parts. Prices subject to change without notice.



Replaces Toro Reelmaster 5610-D Parts

DPA Cutting Unit - Models 03681, 03682, 03696 & 03697
Rear Roller Brush - Model 03683



Item No	R&R Part No.	OEM Part No.	Description	Qty Req	Order Quantity
80	R240-7	240-7	Grommet - Rubber - 2 in OD	1	
81	R3274-7	3247-7, 3274-7	Bolt - Soc HD Cap 3/8-16 x 1	2	
82	R108-4480	108-4480	Bracket - Rear Roller Brush	2	
83	R104-8300	104-8300, 104-8300, 119-4041	Locknut - 5/16-18 Flanged Y/Zinc	10	
84	R108-4495	108-4495	Bearing Housing Assy - Driven	1	
85	R108-4496	108-4496	Bearing Housing Assy - Non Driven	1	
86	R95-0707	95-0707	Bearing - Self Aligning	2	
87	R106-8530	106-8530	Seal - Oil	5	
88	R108-4172	108-4172	Seal - Excluder	2	
89	R322-16	322-16, Apr-00	Bolt - Hex HD 5/16-18 x 1-1/8	4	
90	R94-6936	94-6936, 94-9236	Washer - Hardened - 5/16 SAE	4	
91	R237-22	107-8844, 237-22, 237-78	O-Ring	1	
92	R108-4491	108-4491	Spacer - Hardened	1	
93	R112-6957	112-6957	Washer - Hardened	2	

All original equipment manufacturers names and part numbers are used for identification purposes only, and we are in no way implying that our products are original equipment parts. Prices subject to change without notice.



Replaces Toro Reelmaster 5610-D Parts

DPA Cutting Unit - Models 03681, 03682, 03696 & 03697

Rear Roller Brush - Model 03683



Item No	R&R Part No.	OEM Part No.	Description	Qty Req	Order Quantity
94	R302-5	21-6010, 302-11, 302-37, 302-47, 302-5, 302-57, 302-58, 302-6, 31-0300, 32-9660, 60-0800, 62-3880, 92-4181	Fitting - Grease	2	
95	R108-4205	108-4205	Plate Assy - Rear Roller Brush	1	
96	R108-4478	108-4478	Plate - Idler	1	
97	R112-6950	112-6950, 3230-27	Bolt - Carriage 5/16-18 x 1-1/2	2	
98	R27-0411	27-0411	Bolt - Shoulder	1	
99	R3296-47	3296-47	Locknut - 5/16-18 Jam Nyloc	2	
100	R453009	01-166-0400, 24-10-BD, 24-9-AD, 32-9650, 3256-2, 3256-23, 3256-3, 3256-67, 3290-217, 3556-3, 4-2390, 7-0152	Washer - Flat 5/16 SAE	2	
101	R322-2	322-2, 513338P	Bolt - Hex HD 5/16-18 x 5/8	2	
102	R110-1742	110-1742	Pulley - Driver	1	

Tech Note: (2007 & Prior):

All original equipment manufacturers names and part numbers are used for identification purposes only, and we are in no way implying that our products are original equipment parts. Prices subject to change without notice.



Replaces Toro Reelmaster 5610-D Parts

DPA Cutting Unit - Models 03681, 03682, 03696 & 03697

Rear Roller Brush - Model 03683



Item No	R&R Part No.	OEM Part No.	Description	Qty Req	Order Quantity
103	R66-9302	3234-20, 66-9302	Screw - HHF, Whiz	1	
104	R110-1743	110-1743	Pulley - Driven - Keyed	1	
105	R104-8301	104-8301, 104-9301, 109-6658, 133-7570	Locknut - 3/8-16 Nylon Flanged	1	
106	R110-1745	110-1745	Bearing Assy - Idler	1	
107	R110-1701	110-1701	Bearing	1	
108	R32151-60	32151-60	Ring - Snap	1	
109	R93-3658	93-3658	Spacer - Hardened	1	
110	R3296-59	3296-59	Locknut - 3/8-16 Nylon Jam	1	
111	R110-1747	110-1747	Belt - Rear Brush - 7 in	1	
112	R110-1734	110-1734	Decal-Belt Tension	1	
113	R112-6952	112-6952	Cover - Belt	1	
114	R285-17	285-10, 285-17	Plug - 1/8 NPT	2	
115	R105-9632	105-9632	Bolt - J	2	
116	R3296-2	32127-10, 3296-2, 9157404	Nut - #10 Lock	2	
117	R108-4201	108-4201	Bearing Housing Assy	1	
118	R108-4477	108-4477	Spacer	1	

All original equipment manufacturers names and part numbers are used for identification purposes only, and we are in no way implying that our products are original equipment parts. Prices subject to change without notice.