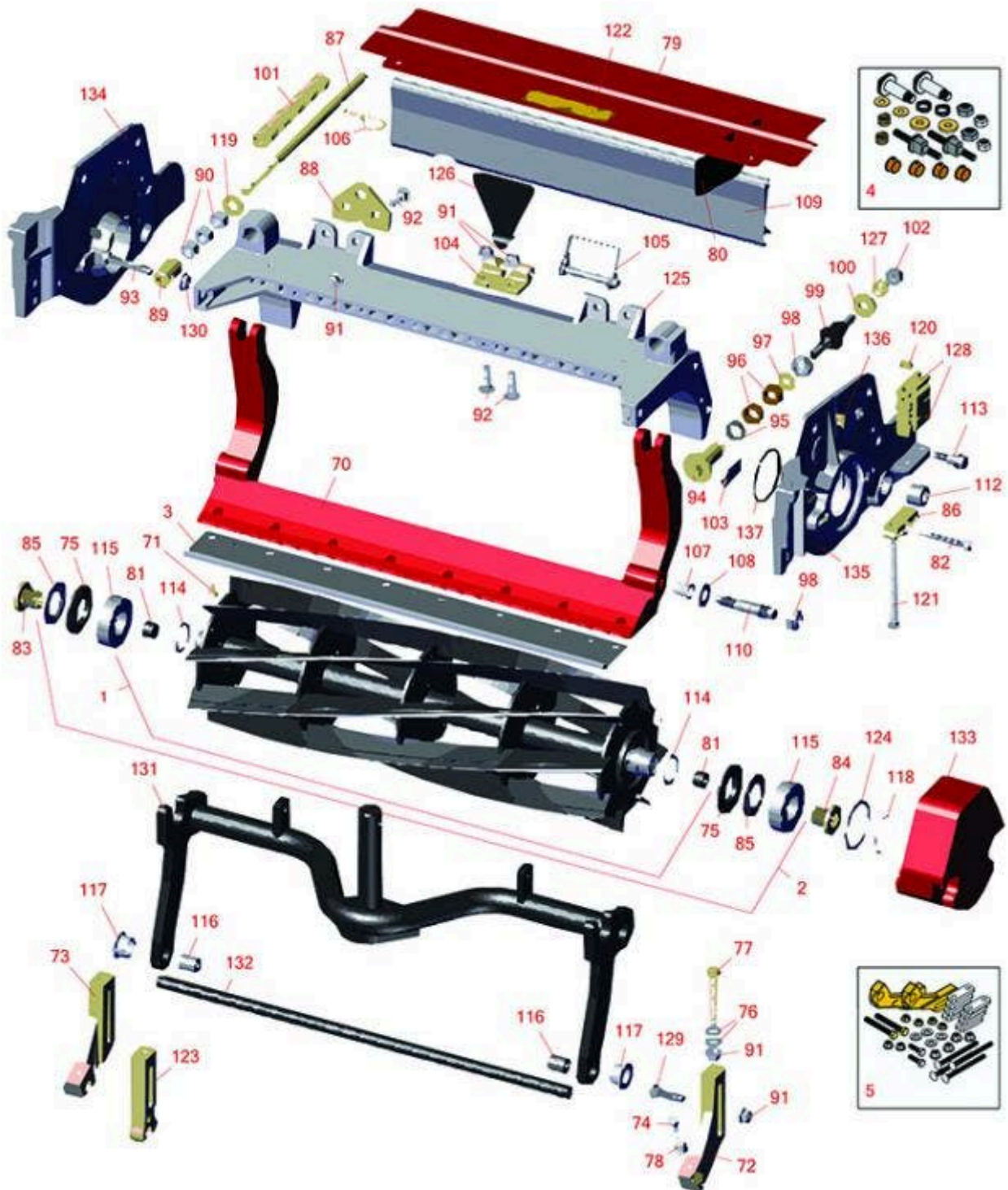




Replaces Toro Reelmaster 5610-D Parts

DPA Cutting Unit - Model 03638, 03639, 03641 & 03643
Reel & Bedknife



All original equipment manufacturers names and part numbers are used for identification purposes only, and we are in no way implying that our products are original equipment parts. Prices subject to change without notice.



Replaces Toro Reelmaster 5610-D Parts

DPA Cutting Unit - Model 03638, 03639, 03641 & 03643
Reel & Bedknife



Item No	R&R Part No.	OEM Part No.	Description	Qty Req	Order Quantity
---------	--------------	--------------	-------------	---------	----------------

R&R Razor Reels, Lifetime Guaranteed

1	R133-8205	133-8205	Reel - 5 Blade Razor Series Radial Low Drag 22x7	1	
---	------------------	----------	--	---	--

Tech Note: Special high alloy premium steel reel blades & use only with alum endplates:

1	R131-6809	131-6809	Reel - 8 Blade Razor Series Forward Swept 22x7	1	
---	------------------	----------	--	---	--

1	R131-6801	131-6801	Reel - 11 Blade Razor Series Forward Swept Low Drag 22x7	1	
---	------------------	----------	--	---	--

Tech Note: Special high alloy premium steel reel blades & use only with alum endplates:

2	R137-8444	137-8444	Reel - 5 Blade Razor Series Radial Low Drag w/Bearings and Seals 22x7	1	
---	------------------	----------	---	---	--

Tech Note: Special high alloy premium steel reel blades & use only with alum endplates:

2	R131-6805	131-6805	Reel - 8 Blade Razor Series Radial Low Drag w/Bearings and Seals 22x7	1	
---	------------------	----------	---	---	--

Tech Note: Special high alloy premium steel reel blades & use only with alum endplates:

2	R137-8445	137-8445	Reel - 8 Blade Razor Series Radial Low Drag w/Bearings and Seals 22x7	1	
---	------------------	----------	---	---	--

Tech Note: Special high alloy premium steel reel blades & use only with alum endplates:

2	R137-8446	137-8446	Reel - 8 Blade Razor Series Forward Swept Low Drag w/Bearings and Seals 22x7	1	
---	------------------	----------	--	---	--

Tech Note: Special high alloy premium steel reel blades & use only with alum endplates:

2	R137-8447	137-8447	Reel - 11 Blade Razor Series Forward Swept Low Drag w/Bearings and Seals 22x7	1	
---	------------------	----------	---	---	--

Tech Note: Special high alloy premium steel reel blades & use only with alum endplates:

R&R Bedknives, Lifetime Guaranteed

All original equipment manufacturers names and part numbers are used for identification purposes only, and we are in no way implying that our products are original equipment parts. Prices subject to change without notice.



Replaces Toro Reelmaster 5610-D Parts

DPA Cutting Unit - Model 03638, 03639, 03641 & 03643
Reel & Bedknife



Item No	R&R Part No.	OEM Part No.	Description	Qty Req	Order Quantity
4	R110-4074	110-4074	Bedknife - High Cut	1	
4	R108-9096	108-9096	Bedknife - Standard	1	
4	R110-4084	110-4084	Bedknife - Low Cut	1	
4	R120-1640	120-1640	Bedknife - Low Cut Extended	1	

R&R Razor Tool Steel Bedknives, Lifetime Guaranteed

4	R108-9095	108-9095, 137-0833	Bedknife - Razor Tool Steel - 22 High Cut	1	
4	R119-4280	119-4280	Bedknife - Razor Tool Steel - 22 x 3/8 Extended	1	
4	R137-0832	125-2771, 127-7132, 137-0832	Bedknife - Razor Tool Steel 3/8 x 22 Lowcut	0	

Overhaul Kits

5	R120-7230	120-7230	Overhaul Kit - Fits DPA Units	1	
<i>Tech Note: Incl 2 ea.: R108-0015, R115-7039, R119-4155, R120-5116, R120-5118, R120-5120, R3296-33, R3296-48 & 4 ea: R106-5344:</i>					
6	R110-9600	110-9600	High HOC Kit	1	
<i>Tech Note: Includes 1 ea.: R120-0404, R120-0405 & 2 ea: R112-7451, R322-16, R445722 & 4 ea.: R106-9758, R104-8300, R453011, R104-8301 & 8 ea: R106-3925:</i>					

Other Parts Available

70	R107-3273-01	107-3273-01	Bed Bar - Fits OEM Units Only	1	
71	R119-4151	119-4151	Screw - Bedknife 5/16-18 x 17/32	8	
72	R120-0404	120-0404	Bracket- High HOC - LH	1	
<i>Tech Note: Fits 2011 & Newer:</i>					
73	R120-0405	120-0405	Bracket - High HOC - RH	1	

All original equipment manufacturers names and part numbers are used for identification purposes only, and we are in no way implying that our products are original equipment parts. Prices subject to change without notice.



Replaces Toro Reelmaster 5610-D Parts

DPA Cutting Unit - Model 03638, 03639, 03641 & 03643
Reel & Bedknife



Item No	R&R Part No.	OEM Part No.	Description	Qty Req	Order Quantity
<i>Tech Note: Fits 2011 & Newer:</i>					
74	R322-16	322-16, Apr-00	Bolt - Hex HD 5/16-18 x 1-1/8	2	
75	R127-4284	127-4284	Washer - Special	2	
76	R453011	01-166-0100, 01-166-0120, 01-166-0270, 01-166-0500, 01-166-0600, 01-166-0620, 132-4593, 2356-3, 237-12, 24-10-AD, 24-11-AD, 24-11-BD, 24-12-AD, 24-12-BD, 30-9310, 32-8190, 3256-24, 3256-3, 3256-36, 3256-4, 453011, 47-9950, 48-9220, 513458, 7-0052	Washer - Flat 3/8 SAE Y/Zinc	4	
77	R112-7451	100-9429, 112-7451	Bolt - Hex Tap 3/8-16 x 2-3/4	2	
78	R445722	30-8980, 32128-2, 32128-20, 32128-20, 445722	Nut - Serrated Washer	2	
79	R107-2996	107-2996	Grass Shield - Front	1	
80	R110-1706	110-1706	Deflector	5	

All original equipment manufacturers names and part numbers are used for identification purposes only, and we are in no way implying that our products are original equipment parts. Prices subject to change without notice.



Replaces Toro Reelmaster 5610-D Parts

DPA Cutting Unit - Model 03638, 03639, 03641 & 03643
Reel & Bedknife



Item No	R&R Part No.	OEM Part No.	Description	Qty Req	Order Quantity
81	R151064		Plug - Rubber - Fits R&R Reel Shaft Only	2	
82	R107-7773	107-7773	Bolt - Soc HD Cap 5/16-18 x 2-1/2	1	
83	R127-7109	127-7109	Insert-Threaded - 7 in Reel (RH)	1	
84	R127-7111	127-7111	Insert-Threaded - 7 in Reel (LH)	1	
85	R115-3299	115-3299	Seal- Flocked	2	
86	R106-3924	106-3924	Bracket - Rear Roller	2	
87	R115-2007	107-7437, 115-2007	Rod - Spring	1	
88	R110-4069	110-4069	Bracket	1	
89	R99-8662	99-8662	Tube - Spring	1	
90	R443818	01-191-0813, 3218-18, 3218-5, 3248-18	Nut - 1/2-13 Hex Jam Zinc	3	
91	R104-8301	104-8301, 104-9301, 109-6658, 133-7570	Locknut - 3/8-16 Nylon Flanged	8	
92	R3231-25	01-173-0610, 30-9970, 3231-25, 3231-3, 900064P	Bolt - Carriage 3/8-16 x 1-1/4	4	
93	R104-3396	104-3396	Bolt - Hex HD 3/8-16 x 2-1/4	1	
94	R120-5118	120-5118	Shaft - Adjuster	2	
<i>Tech Note: 2012 & Newer:</i>					
95	R120-5116	120-5116	Washer - Wave	2	

All original equipment manufacturers names and part numbers are used for identification purposes only, and we are in no way implying that our products are original equipment parts. Prices subject to change without notice.



Replaces Toro Reelmaster 5610-D Parts

DPA Cutting Unit - Model 03638, 03639, 03641 & 03643
Reel & Bedknife



Item No	R&R Part No.	OEM Part No.	Description	Qty Req	Order Quantity
96	R106-5344	106-5344	Bushing - Flanged and Keyed	4	
97	R108-0015	108-0015	Washer - Flat	2	
98	R3296-33	3296-33	Locknut - 5/8-18 ESNA Jam	4	
99	R115-7039	115-7039	Screw - Adjuster - Bedbar	2	
Ser# 400000000-405699999					
99	R137-6130	137-6130	Screw - Adjuster - Hardened - Bedbar	2	
Ser# 405700000-410499999					
100	R119-4155	119-4155	Washer - Hardened	2	
101	R110-4079	110-4079	Spring	1	
102	R3296-48	119-4039, 32146-7, 3296-34, 3296-48	Locknut - 7/16-14 ESNA	2	
103	R99-2097	99-2097	Detent - Bed Bar Adjuster	2	
104	R110-4058	110-4058	Bracket - Chain	1	
105	R107-7400	107-7400	Pin - Lynch	1	
106	R92-2762	92-2762	Pin - Snap	1	
107	R56-9520	56-9520	Bushing - Nyliner	2	
108	R61-1950	61-1950	Washer - Nylon - Bed Bar	4	
109	R125-1978	125-1978	Grass Shield - Rear	1	
110	R106-9623	106-9623	Bolt - Bedbar	2	
112	R106-9618	106-9618	Bushing - Rubber	2	
113	R107-2979	107-2979	Bolt - Shoulder	4	

All original equipment manufacturers names and part numbers are used for identification purposes only, and we are in no way implying that our products are original equipment parts. Prices subject to change without notice.



Replaces Toro Reelmaster 5610-D Parts

DPA Cutting Unit - Model 03638, 03639, 03641 & 03643
Reel & Bedknife



Item No	R&R Part No.	OEM Part No.	Description	Qty Req	Order Quantity
114	R92-2601	92-2601	Snap Ring	2	
115	R115-3296	115-3296	Bearing	2	
Ser# 400000000-410499999					
115	R140-5510	140-5510	Bearing - Sealed Stainless	2	
Ser# 407900000-410499999					
116	R108-4279	108-4279	Spacer - Frame	2	
117	R93-2877	93-2877	Bushing - Flanged	2	
118	R237-68	237-68	O-Ring	2	
119	R87-7270-01	87-7270, 87-7270-01	Washer - Flat 1/2	1	
120	R104-8300	104-8300, 104-8300 , 119-4041	Locknut - 5/16-18 Flanged Y/Zinc	4	
121	R3230-30	3230-30	Bolt - Carriage 5/16x4 1/2	4	
122	R93-6688	93-6688	Decal - Warning	1	
123	R125-2796	125-2796	Bracket- Front HOC	2	
<i>Tech Note: Fits 2013 & Newer:</i>					
124	R105-5700	105-5700, 115-5258	Wave Washer - Bearing	2	
125	R107-3258	107-3258	Frame	1	
126	R110-4088-03	110-4088-03, 119-8010-03	Kickstand	1	
127	R120-5120	120-5120	Spring - Compression	2	
128	R119-0626	119-0626	Shim - Roller - 1/4 in - Slotted	8	

All original equipment manufacturers names and part numbers are used for identification purposes only, and we are in no way implying that our products are original equipment parts. Prices subject to change without notice.



Replaces Toro Reelmaster 5610-D Parts

*DPA Cutting Unit - Model 03638, 03639, 03641 & 03643
Reel & Bedknife*



Item No	R&R Part No.	OEM Part No.	Description	Qty Req	Order Quantity
129	R3231-4	01-157-0440, 01-173-0612, 3231-4	Bolt - Carriage 3/8-16 x 1-1/2	2	
130	R32128-43	30-8990, 32128-43, 3290-357	Nut - Flanged Whiz - 3/8-16	2	
131	R107-7433	107-7433	Carrier Frame Assy	1	
132	R108-4284	108-4284	Shaft - Support	1	
133	R108-4269-01	108-4269-01	Weight	1	
134	R137-5967	137-5967	Side Plate Assy - 7 in RH Aluminum	1	
135	R137-5963	137-5963, 137-5967	Side Plate Assy - 7 in LH Aluminum	1	
136	R170714	302-34, 302-39, 62-3520	Fitting - Pressure Relief	2	
137	R117-8177	117-8177	O-Ring	2	

All original equipment manufacturers names and part numbers are used for identification purposes only, and we are in no way implying that our products are original equipment parts. Prices subject to change without notice.