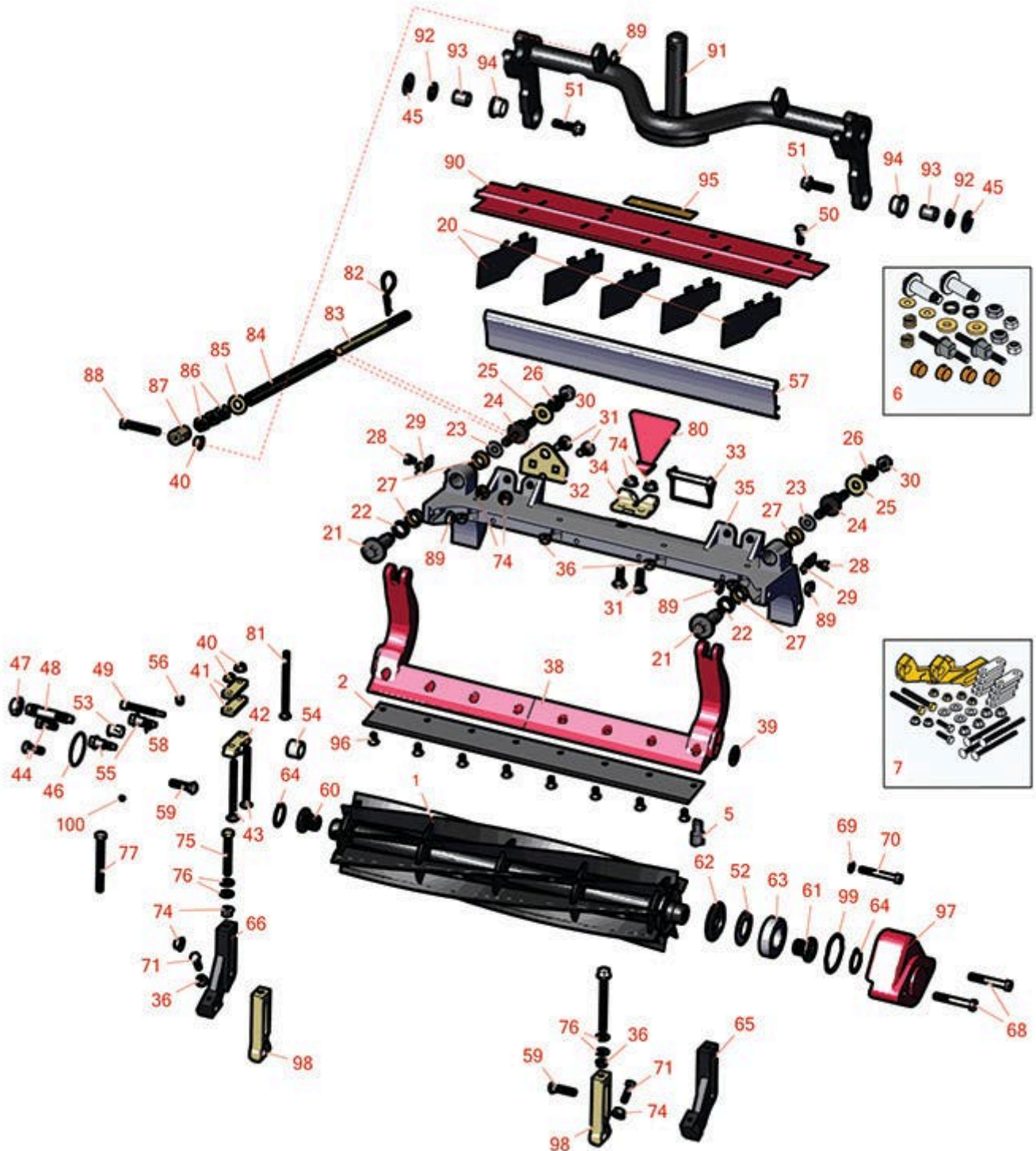




Replaces Toro Reelmaster 5410-D Parts

Cutting Unit with 5" Reels - Models 03621, 03623, 03634 & 03635

Reel & Bedknife



All original equipment manufacturers names and part numbers are used for identification purposes only, and we are in no way implying that our products are original equipment parts. Prices subject to change without notice.



Replaces Toro Reelmaster 5410-D Parts

Cutting Unit with 5" Reels - Models 03621, 03623, 03634 & 03635

Reel & Bedknife



Item No	R&R Part No.	OEM Part No.	Description	Qty Req	Order Quantity
---------	--------------	--------------	-------------	---------	----------------

R&R Reels, Lifetime Guaranteed

1	R131-3203	131-3203	Reel - 8 Blade Radial w/Bearings and Seals 22x5	1	
---	------------------	----------	---	---	--

Detail Description: R&R Reel blades are expertly crafted from premium high carbon-boron alloy steel, heat-treated to perfectly complement both R&R and OEM bedknives. Each reel undergoes precision cylindrical grinding on bearing surfaces, followed by relief grinding for optimal performance. Advanced computer balancing ensures extended reel and bearing life. Backed by our lifetime guarantee against defects in materials and craftsmanship under normal use, R&R Reels deliver unmatched durability and cutting precision you can trust.:

1	R132-7109	132-7109	Reel - 8 Blade Razor Series Radial w/Bearings and Seals 22x5	1	
---	------------------	----------	--	---	--

Detail Description: R&R Razor Reels are manufactured from a special high alloy steel and then hardened to RC48-51 to match the temper of our Razor bedknives and original equipment premium series bedknives. All R&R Reels are cylindrically ground on bearing surfaces, relief ground and precision computer balanced for extended bearing and reel life. R&R Products Reels are guaranteed against defects in material and workmanship for the life of the reel under normal use. You can expect up to double the life from Razor reels over standard reels.:

1	R137-8426	137-8426	Reel - 8 Blade Razor Radial (RR) w/Bearings and Seals 22x5	1	
---	------------------	----------	--	---	--

Detail Description: R&R Razor Reels are manufactured from a special high alloy steel and then hardened to RC48-51 to match the temper of our Razor bedknives and original equipment premium series bedknives. All R&R Reels are cylindrically ground on bearing surfaces, relief ground and precision computer balanced for extended bearing and reel life. R&R Products Reels are guaranteed against defects in material and workmanship for the life of the reel under normal use. You can expect up to double the life from Razor reels over standard reels.:

1	R131-3204	131-3204	Reel - 11 Blade Radial (RR) w/Bearings and Seals 22x5	1	
---	------------------	----------	---	---	--

Detail Description: R&R Reel blades are expertly crafted from premium high carbon-boron alloy steel, heat-treated to perfectly complement both R&R and OEM bedknives. Each reel undergoes precision cylindrical grinding on bearing surfaces, followed by relief grinding for optimal performance. Advanced computer balancing ensures extended reel and bearing life. Backed by our lifetime guarantee against defects in materials and craftsmanship under normal use, R&R Reels deliver unmatched durability and cutting precision you can trust.:

1	R132-7112	132-7112	Reel - 11 Blade Razor Series Forward Swept w/Bearings and Seals 22x5	1	
---	------------------	----------	--	---	--

All original equipment manufacturers names and part numbers are used for identification purposes only, and we are in no way implying that our products are original equipment parts. Prices subject to change without notice.



Replaces Toro Reelmaster 5410-D Parts

Cutting Unit with 5" Reels - Models 03621, 03623, 03634 & 03635

Reel & Bedknife



Item No	R&R Part No.	OEM Part No.	Description	Qty Req	Order Quantity
---------	--------------	--------------	-------------	---------	----------------

Detail Description: R&R Razor Reels are manufactured from a special high alloy steel and then hardened to RC48-51 to match the temper of our Razor bedknives and original equipment premium series bedknives. All R&R Reels are cylindrically ground on bearing surfaces, relief ground and precision computer balanced for extended bearing and reel life. R&R Products Reels are guaranteed against defects in material and workmanship for the life of the reel under normal use. You can expect up to double the life from Razor reels over standard reels.:

1	R137-8427	137-8427	Reel - 11 Blade Razor Series Forward Swept Low Drag w/Bearings and Seals 22x5	1	
---	------------------	----------	---	---	--

Detail Description: R&R Razor Reels are manufactured from a special high alloy steel and then hardened to RC48-51 to match the temper of our Razor bedknives and original equipment premium series bedknives. All R&R Reels are cylindrically ground on bearing surfaces, relief ground and precision computer balanced for extended bearing and reel life. R&R Products Reels are guaranteed against defects in material and workmanship for the life of the reel under normal use. You can expect up to double the life from Razor reels over standard reels.:

1	R137-8429	137-8429	Reel - 11 Blade Razor Series Radial (RR) w/Bearings and Seals 22x5	1	
---	------------------	----------	--	---	--

Detail Description: R&R Razor Reels are manufactured from a special high alloy steel and then hardened to RC48-51 to match the temper of our Razor bedknives and original equipment premium series bedknives. All R&R Reels are cylindrically ground on bearing surfaces, relief ground and precision computer balanced for extended bearing and reel life. R&R Products Reels are guaranteed against defects in material and workmanship for the life of the reel under normal use. You can expect up to double the life from Razor reels over standard reels.:

R&R Bedknife, Lifetime Guaranteed

2	R110-4084	110-4084	Bedknife - Low Cut	1	
---	------------------	----------	--------------------	---	--

Detail Description: R&R Bedknives are manufactured from high carbon-boron alloy steel and then hardened to RC46-49 to match the temper of our reel blades and original equipment reels. Bedknives are surface ground on the top and front edge and straightened three times before being packaged with oil for rust prevention. All R&R Bedknives now have an increased front edge grind for added life. All R&R Bedknives are guaranteed against defects in material and workmanship under normal use for the life of the part.:

2	R137-0832	125-2771, 127-7132, 137-0832	Bedknife - Razor Tool Steel - 3/8 x 22 Lowcut	1	
---	------------------	------------------------------------	---	---	--

2	R108-9096	108-9096	Bedknife - Standard	1	
---	------------------	----------	---------------------	---	--

All original equipment manufacturers names and part numbers are used for identification purposes only, and we are in no way implying that our products are original equipment parts. Prices subject to change without notice.



Replaces Toro Reelmaster 5410-D Parts

Cutting Unit with 5" Reels - Models 03621, 03623, 03634 & 03635

Reel & Bedknife



Item No	R&R Part No.	OEM Part No.	Description	Qty Req	Order Quantity
---------	--------------	--------------	-------------	---------	----------------

Detail Description: R&R Bedknives are manufactured from high carbon-boron alloy steel and then hardened to RC46-49 to match the temper of our reel blades and original equipment reels. Bedknives are surface ground on the top and front edge and straightened three times before being packaged with oil for rust prevention. All R&R Bedknives now have an increased front edge grind for added life. All R&R Bedknives are guaranteed against defects in material and workmanship under normal use for the life of the part.:

2	R110-4074	110-4074	Bedknife - High Cut	1	
---	------------------	----------	---------------------	---	--

Detail Description: R&R Bedknives are manufactured from high carbon-boron alloy steel and then hardened to RC46-49 to match the temper of our reel blades and original equipment reels. Bedknives are surface ground on the top and front edge and straightened three times before being packaged with oil for rust prevention. All R&R Bedknives now have an increased front edge grind for added life. All R&R Bedknives are guaranteed against defects in material and workmanship under normal use for the life of the part.:

2	R120-1640	120-1640	Bedknife - Low Cut Extended	1	
---	------------------	----------	-----------------------------	---	--

Detail Description: R&R Bedknives are manufactured from high carbon-boron alloy steel and then hardened to RC46-49 to match the temper of our reel blades and original equipment reels. Bedknives are surface ground on the top and front edge and straightened three times before being packaged with oil for rust prevention. All R&R Bedknives now have an increased front edge grind for added life. All R&R Bedknives are guaranteed against defects in material and workmanship under normal use for the life of the part.:

R&R Razor tool Steel Bedknife, Lifetime Guaranteed

2	R108-9095	108-9095, 137-0833	Bedknife - Razor Tool Steel - 22 High Cut	1	
---	------------------	-----------------------	---	---	--

Detail Description: R&R Razor bedknives are manufactured from premium alloy tool steel steel and then hardened to RC48-51 to match the temper of our Razor reel blades and original equipment premium series reels. Bedknives are surface ground on the top and front edge and specially packaged for rust prevention. All R&R Bedknives now have an increased front edge grind for added life. All R&R Bedknives are guaranteed against defects in material and workmanship under normal use for the life of the part. You can expect up to double the life over standard bedknives.:

2	R119-4280	119-4280	Bedknife - Razor Tool Steel - 22 x 3/8 Extended	1	
---	------------------	----------	---	---	--

All original equipment manufacturers names and part numbers are used for identification purposes only, and we are in no way implying that our products are original equipment parts. Prices subject to change without notice.



Replaces Toro Reelmaster 5410-D Parts

Cutting Unit with 5" Reels - Models 03621, 03623, 03634 & 03635

Reel & Bedknife



Item No	R&R Part No.	OEM Part No.	Description	Qty Req	Order Quantity
---------	--------------	--------------	-------------	---------	----------------

Detail Description: R&R Razor bedknives are manufactured from premium alloy tool steel steel and then hardened to RC48-51 to match the temper of our Razor reel blades and original equipment premium series reels. Bedknives are surface ground on the top and front edge and specially packaged for rust prevention. All R&R Bedknives now have an increased front edge grind for added life. All R&R Bedknives are guaranteed against defects in material and workmanship under normal use for the life of the part. You can expect up to double the life over standard bedknives.:

Overhaul Kit and Service Tools

5	R51-0880	51-0880	Bedknife Screw Driver Tool	1	
---	-----------------	---------	----------------------------	---	--

Detail Description: Easily install and remove bed knife screws with the help of a ratchet with 3/8" drive. Tool manufactured with hardened alloy steel.:

6	R120-7230	120-7230	Overhaul Kit - Fits DPA Units	1	
---	------------------	----------	-------------------------------	---	--

Detail Description: Incl 2 ea.: R108-0015, R115-7039, R119-4155, R120-5116, R120-5118, R120-5120, R3296-33, R3296-48 & 4 ea: R106-5344:

7	R110-9600	110-9600	High HOC Kit	1	
---	------------------	----------	--------------	---	--

Detail Description: Includes 1 ea.: R120-0404, R120-0405 & 2 ea: R112-7451, R322-16, R445722 & 4 ea.: R106-9758, R104-8300, R453011, R104-8301 & 8 ea: R106-3925:

Other Parts Available

20	R110-1706	110-1706	Deflector	5	
----	------------------	----------	-----------	---	--

21	R120-5118	120-5118	Shaft - Adjuster	2	
----	------------------	----------	------------------	---	--

Detail Description: 2012 & Newer:

22	R120-5116	120-5116	Washer - Wave	2	
----	------------------	----------	---------------	---	--

23	R108-0015	108-0015	Washer - Flat	2	
----	------------------	----------	---------------	---	--

24	R115-7039	115-7039	Screw - Adjuster - Bedbar	2	
----	------------------	----------	---------------------------	---	--

Tech Note: Ser# 400000000-4056999999:

24	R137-6130	137-6130	Screw - Adjuster - Hardened - Bedbar	2	
----	------------------	----------	--------------------------------------	---	--

All original equipment manufacturers names and part numbers are used for identification purposes only, and we are in no way implying that our products are original equipment parts. Prices subject to change without notice.



Replaces Toro Reelmaster 5410-D Parts

Cutting Unit with 5" Reels - Models 03621, 03623, 03634 & 03635

Reel & Bedknife



Item No	R&R Part No.	OEM Part No.	Description	Qty Req	Order Quantity
<i>Tech Note: Ser# 405700000-410499999:</i>					
25	R119-4155	119-4155	Washer - Hardened	2	
26	R120-5120	120-5120	Spring - Compression	2	
27	R106-5344	106-5344	Bushing - Flanged and Keyed	4	
28	R114-9396	114-9396, 119-4067	Bolt - Hex HD 5/16-18 x 3/8	2	
29	R99-2097	99-2097	Detent - Bed Bar Adjuster	2	
30	R3296-48	119-4039, 32146-7, 3296-34, 3296-48	Locknut - 7/16-14 ESNA	2	
31	R3231-25	01-173-0610, 30-9970, 3231-25, 3231-3, 900064P	Bolt - Carriage 3/8-16 x 1-1/4	4	
32	R110-4069	110-4069	Bracket	1	
33	R107-7400	107-7400	Pin - Lynch	1	
34	R110-4058	110-4058	Bracket - Chain	1	
35	R107-2951	107-2951	Frame	1	
36	R445722	30-8980, 32128-2, 32128-20, 32128-20	Nut - Serrated Washer	5	
38	R105-8095-01	105-8095-01	Bed Bar - Fits OEM Units Only	1	
38	R131-3220-03	131-3220-03	Bedbar-Aggressive - 5 Inch Reel	1	
39	R61-1950	61-1950	Washer - Nylon - Bed Bar	4	

All original equipment manufacturers names and part numbers are used for identification purposes only, and we are in no way implying that our products are original equipment parts. Prices subject to change without notice.



Replaces Toro Reelmaster 5410-D Parts

Cutting Unit with 5" Reels - Models 03621, 03623, 03634 & 03635

Reel & Bedknife



Item No	R&R Part No.	OEM Part No.	Description	Qty Req	Order Quantity
40	R104-8300	104-8300, 104-8300 , 119-4041	Locknut - 5/16-18 Flanged Y/Zinc	4	
41	R119-0626	119-0626	Shim - Roller - 1/4 in - Slotted	8	
42	R106-3924	106-3924	Bracket - Rear Roller	2	
43	R106-9758		Bolt - Carriage 5/16x4	4	
44	R3234-11	3234-11	Bolt - Hex Washer HD	4	
45	R130-8094	130-8094	Washer	2	
46	R237-68	237-68	O-Ring	2	
46	R117-8177	117-8177	O-Ring	2	
47	R3296-33	3296-33	Locknut - 5/8-18 ESNA Jam	1	
48	R106-9623	106-9623	Bolt - Bedbar	2	
49	R107-7773	107-7773	Bolt - Soc HD Cap 5/16-18 x 2-1/2	1	
50	R3234-7	3234-7	Bolt - Hex Washer HD 5/16-18 x 5/8	4	
51	R3234-19	3234-19	Bolt - Hex Washer 3/8-16x1-3/4	2	
52	R115-3299	115-3299	Seal- Flocked	2	
53	R56-9520	56-9520	Bushing - Nyliner	2	
54	R106-9618	106-9618	Bushing - Rubber	2	
55	R107-2979	107-2979	Bolt - Shoulder	4	
56	R170714	302-34, 302-39, 62-3520	Fitting - Pressure Relief	2	
57	R125-2098	125-2098	Grass Shield - Rear 22" Unit	1	

All original equipment manufacturers names and part numbers are used for identification purposes only, and we are in no way implying that our products are original equipment parts. Prices subject to change without notice.



Replaces Toro Reelmaster 5410-D Parts

Cutting Unit with 5" Reels - Models 03621, 03623, 03634 & 03635

Reel & Bedknife



Item No	R&R Part No.	OEM Part No.	Description	Qty Req	Order Quantity
58	R302-5	21-6010, 302-11, 302-37, 302-47, 302-5, 302-57, 302-58, 302-6, 31-0300, 32-9660, 60-0800, 62-3880, 92-4181	Fitting - Grease	1	
59	R3231-4	01-157-0440, 01-173-0612, 3231-4	Bolt - Carriage 3/8-16 x 1-1/2	2	
60	R130-0063	130-0063	Insert-Threaded, 5 Inch (RH)	1	
61	R130-0064	130-0064	Insert-Threaded, 5 Inch (LH)	1	
62	R127-4284	127-4284	Washer - Special	2	
63	R115-3296	115-3296	Bearing	2	
<i>Tech Note: Ser# 400000000-407999999:</i>					
63	R140-5510	140-5510	Bearing - Sealed Stainless	2	
<i>Tech Note: Ser# 408000000-410499999:</i>					
64	R92-2601	92-2601	Snap Ring	2	
65	R120-0404	120-0404	Bracket- High HOC - LH	1	
<i>Detail Description: Fits 2011 & Newer:</i>					
66	R120-0405	120-0405	Bracket - High HOC - RH	1	
<i>Detail Description: Fits 2011 & Newer:</i>					

All original equipment manufacturers names and part numbers are used for identification purposes only, and we are in no way implying that our products are original equipment parts. Prices subject to change without notice.



Replaces Toro Reelmaster 5410-D Parts

Cutting Unit with 5" Reels - Models 03621, 03623, 03634 & 03635

Reel & Bedknife



Item No	R&R Part No.	OEM Part No.	Description	Qty Req	Order Quantity
68	R101526	01-150-0970, 01-178-0620, 20-53-AGD, 321-11, 3224-8, 323-11, 323-12, 323-31, 323-4, 323-47	Bolt - Hex HD 3/8-16 x 2-1/2 GR5	10	
69	R3256-74	3256-74	Washer - Flat	1	
70	R322-14	01-150-0830, 01-178-0524, 30-8900, 322-14	Bolt - Hex HD 5/16-18 x 3 GR5	1	
71	R322-16	322-16, Apr-00	Bolt - Hex HD 5/16-18 x 1-1/8	2	
74	R104-8301	104-8301, 104-9301, 109-6658, 133-7570	Locknut - 3/8-16 Nylon Flanged	7	
75	R112-7451	100-9429, 112-7451	Bolt - Hex Tap 3/8-16 x 2-3/4	2	

All original equipment manufacturers names and part numbers are used for identification purposes only, and we are in no way implying that our products are original equipment parts. Prices subject to change without notice.



Replaces Toro Reelmaster 5410-D Parts

Cutting Unit with 5" Reels - Models 03621, 03623, 03634 & 03635

Reel & Bedknife



Item No	R&R Part No.	OEM Part No.	Description	Qty Req	Order Quantity
76	R453011	01-166-0100, 01-166-0120, 01-166-0270, 01-166-0500, 01-166-0600, 01-166-0620, 132-4593, 2356-3, 237-12, 24-10-AD, 24-11-AD, 24-11-BD, 24-12-AD, 24-12-BD, 30-9310, 32-8190, 3256-24, 3256-3, 3256-36, 3256-4, 453011, 47-9950, 48-9220, 513458, 7-0052	Washer - Flat 3/8 SAE Y/Zinc	4	
77	R107-4026	107-4026	Bolt - Hex Tap 3/8-16 x 3-3/4	2	
80	R110-4088-03	110-4088-03, 119-8010-03	Kickstand	1	
81	R3230-30	3230-30	Bolt - Carriage 5/16x4 1/2	4	
82	R92-2762	92-2762	Pin - Snap	1	
83	R107-2970	107-2970	Rod - Spring	1	
84	R112-1725	112-1725	Spring - Compression	1	
85	R87-7270-01	87-7270	Washer - Flat 1/2	1	

All original equipment manufacturers names and part numbers are used for identification purposes only, and we are in no way implying that our products are original equipment parts. Prices subject to change without notice.



Replaces Toro Reelmaster 5410-D Parts

Cutting Unit with 5" Reels - Models 03621, 03623, 03634 & 03635

Reel & Bedknife



Item No	R&R Part No.	OEM Part No.	Description	Qty Req	Order Quantity
85	R3256-26	01-166-0540, 01-166-0820, 17-2530, 24-13-BD, 30-8570, 3256-26, 356206, 48-9390	Washer - 1/2 in	1	
85	R453017	01-166-0050, 01-166-0240, 01-166-0800, 24-13-AD, 24-14-AD, 32-8110, 3256-26, 3256-6, 453017, 69-8980, 87-7270	Washer - Flat 1/2	1	
86	R443818	01-191-0813, 3218-18, 3218-5	Nut - 1/2-13 Hex Jam Zinc	3	
87	R99-8662	99-8662	Tube - Spring	1	
88	R104-3396	104-3396	Bolt - Hex HD 3/8-16 x 2-1/4	1	
89	R32128-43	30-8990, 32128-43, 3290-357	Nut - Flanged Whiz - 3/8-16	5	
89	R3296-39	32127-25, 32128-36, 3290-357, 3296-17, 3296-22, 3296-39, 915663P, 99-7443	Locknut - 3/8-16 Nylon	5	
90	R107-2996	107-2996	Grass Shield - Front	1	
91	R106-3937	106-3937	Carrier Frame Assy	1	

All original equipment manufacturers names and part numbers are used for identification purposes only, and we are in no way implying that our products are original equipment parts. Prices subject to change without notice.



Replaces Toro Reelmaster 5410-D Parts

Cutting Unit with 5" Reels - Models 03621, 03623, 03634 & 03635

Reel & Bedknife



Item No	R&R Part No.	OEM Part No.	Description	Qty Req	Order Quantity
92	R67-9410	67-9410	Washer - Clevis Pin	1	
93	R108-4279	108-4279	Spacer - Frame	2	
94	R93-2877	93-2877	Bushing - Flanged	2	
95	R93-6688	93-6688	Decal - Warning	1	
95	R137-9706	137-9706	Decal- Warning	1	
96	R150476	3-3816, 3-6462, 57-4910	Screw - Bedknife 5/16-18 x 5/8	8	
97	R108-9090-01	108-9090-01	Weight	5	
98	R125-2796	125-2796	Bracket- Front HOC	2	
<i>Detail Description: Fits 2013 & Newer:</i>					
99	R105-5700	105-5700, 115-5258	Wave Washer - Bearing	1	
100	R3245-35	3245-35	Screw - Set 1/4-28 x 1/4	2	

All original equipment manufacturers names and part numbers are used for identification purposes only, and we are in no way implying that our products are original equipment parts. Prices subject to change without notice.