

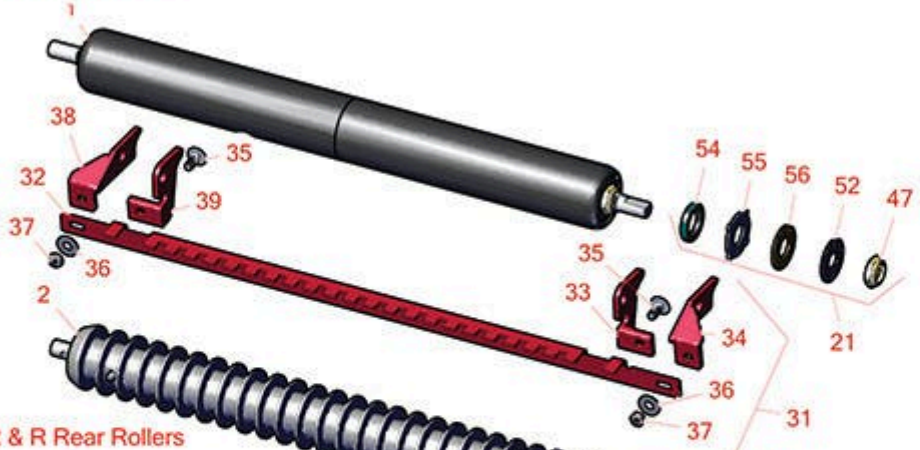


Replaces Toro Reelmaster 5300-D Parts

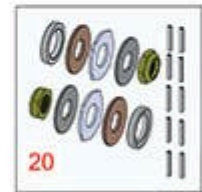
Cutting Unit - Models 03506 & 03509
Rollers



R & R Front Rollers



R & R Rear Rollers



All original equipment manufacturers names and part numbers are used for identification purposes only, and we are in no way implying that our products are original equipment parts. Prices subject to change without notice.



Replaces Toro Reelmaster 5300-D Parts

Cutting Unit - Models 03506 & 03509
Rollers



Item No	R&R Part No.	OEM Part No.	Description	Qty Req	Order Quantity
---------	--------------	--------------	-------------	---------	----------------

R&R Front Rollers

1	R1504030		Roller - Smooth UHMW Polyethylene	1	
---	-----------------	--	-----------------------------------	---	--

Detail Description: Machined from solid UHMW, this low maintenance roller uses a 1" solid stainless steel shaft and requires no grease. UHMW material prevents build-up of debris.:

2	R75-1520	75-1520	Roller - Grooved Machined Solid Steel	1	
---	-----------------	---------	---------------------------------------	---	--

Detail Description: Machined from solid steel this heavy weight roller uses greasable "water-pump" style bearings. :

3	R82-6680	82-6680	Roller - Smooth Tubular Steel	1	
---	-----------------	---------	-------------------------------	---	--

4	R1503900		Roller - Grooved UHMW Polyethylene	1	
---	-----------------	--	------------------------------------	---	--

Detail Description: Machined from solid UHMW, this low maintenance roller rotates around a 1" solid stainless steel shaft and requires no bearings or grease. Patented groove design and smooth UHMW material prevents build-up of debris:

R&R Rear Rollers

5	R75-1850	75-1850, 85-7220	Roller - Smooth Tubular Steel	1	
---	-----------------	---------------------	-------------------------------	---	--

Detail Description: Constructed with tubular steel and greasable "water-pump" style bearings.:

6	R150695		Roller - Smooth Tubular Steel	1	
---	----------------	--	-------------------------------	---	--

Detail Description: Constructed with a through shaft, this heavy duty roller uses greasable tapered bearings for extended life.:

7	R150410		Roller - Smooth UHMW Polyethylene	1	
---	----------------	--	-----------------------------------	---	--

Detail Description: Machined from solid UHMW, this low maintenance roller uses a 1" solid stainless steel shaft and requires no grease. UHMW material prevents build-up of debris.:

8	R1503952		Roller - Smooth UHMW Polyethylene	1	
---	-----------------	--	-----------------------------------	---	--

All original equipment manufacturers names and part numbers are used for identification purposes only, and we are in no way implying that our products are original equipment parts. Prices subject to change without notice.



Replaces Toro Reelmaster 5300-D Parts

Cutting Unit - Models 03506 & 03509
Rollers



Item No	R&R Part No.	OEM Part No.	Description	Qty Req	Order Quantity
---------	--------------	--------------	-------------	---------	----------------

Detail Description: Machined from solid UHMW, this low maintenance roller uses a 1" solid stainless steel shaft and requires no grease. UHMW material prevents build-up of debris.:

9	R150411		Roller - Grooved UHMW Polyethylene	1	
---	----------------	--	------------------------------------	---	--

Detail Description: Machined from solid UHMW, this low maintenance roller rotates around a 1" solid stainless steel shaft and requires no bearings or grease. Patented groove design and smooth UHMW material prevents build-up of debris:

Overhaul Kits

20	R101395		Overhaul Kit - UHMW Roller	1	
----	----------------	--	----------------------------	---	--

Detail Description: Fits all R&R 2" Dia. Black UHMW Polyethylene Rollers. Includes 10 ea.: R150322 Roll Pins; 2 ea.: R3296-15 Locknuts, R150347T Teflon Seals, R150333 Thrust Washers, & R150334A Bronze Thrust Washers:

21	R101399		Overhaul Kit - UHMW 2 Pc Roller	1	
----	----------------	--	---------------------------------	---	--

Detail Description: Fits all R&R 2-1/2" - 3-1/2" Dia. Black UHMW Plastic Rollers that do not use ball bearings.. Includes 2 ea.: R1503230 Star Washers, R1503470 Seals, R150333 Thrust Washers, R3296-15 Locknuts, R1503471 Bronze Thrust Washers:

22	R100136		Overhaul Kit - Roller	1	
----	----------------	--	-----------------------	---	--

Detail Description: Includes 2 ea.: R150674 Wear Sleeves, R253-152 Seals, R253-117 Seals, R254-78 Bearings, R254-79 Bearing Cups, R3296-15 Locknuts & R302-5 Grease Fittings:

Other Parts Available

30	R75-1290	75-1290	Bearing - Roller	2	
----	-----------------	---------	------------------	---	--

31	R83-5400	83-5400	Scraper Kit - Front Roller	1	
----	-----------------	---------	----------------------------	---	--

Detail Description: Includes 10 ea: R3230-1 Bolt, R3256-23 Washer, R3296-29 Locknut; 5 ea: R82-6830 Scraper Bar, R83-6930 RH Bracket, R83-6940 LH Bracket, R83-6950 RH Bracket, R83-6980 LH Bracket:

32	R82-6830	82-6830, 82-6830-01	Bar - Scraper Grooved Roller	1	
----	-----------------	------------------------	------------------------------	---	--

33	R83-6940	83-6940	Bracket - Scraper LH	1	
----	-----------------	---------	----------------------	---	--

All original equipment manufacturers names and part numbers are used for identification purposes only, and we are in no way implying that our products are original equipment parts. Prices subject to change without notice.



Replaces Toro Reelmaster 5300-D Parts

Cutting Unit - Models 03506 & 03509
Rollers



Item No	R&R Part No.	OEM Part No.	Description	Qty Req	Order Quantity
34	R83-6980	83-6980	Bracket - Scraper LH	1	
35	R3230-1	01-173-0506, 3230-1, 3230-20, 900037P	Bolt - Carriage 5/16-18 x 3/4	10	
36	R453009	01-166-0400, 24-10-BD, 24-9-AD, 32-9650, 3256-2, 3256-23, 3256-3, 3256-67, 3290-217, 3556-3, 4-2390, 7-0152	Washer - Flat 5/16 SAE	10	
36	R310266	3256-23, 3256-3, 3556-3	Washer - Flat 5/16 USS	10	
37	R3296-29	1-804256, 3290-357, 3296-29, 915662P	Locknut - 5/16-18 ESNA	10	
38	R83-6950	83-6950	Bracket - Scraper RH	1	
39	R83-6930	83-6930	Bracket - Scraper RH	1	
40	R150698		Shaft - Fits HD Rear Roller	1	
41	R61-0380	61-0380	Roller End - Cap Solid	2	
42	R253-152	253-116, 253-152	Seal - Inner Roller	2	

All original equipment manufacturers names and part numbers are used for identification purposes only, and we are in no way implying that our products are original equipment parts. Prices subject to change without notice.



Replaces Toro Reelmaster 5300-D Parts

Cutting Unit - Models 03506 & 03509
Rollers



Item No	R&R Part No.	OEM Part No.	Description	Qty Req	Order Quantity
43	R254-79	01-103-0060, 01-103-0130, 1-633584, 252-106, 254-79, 32-7800, 32-9590	Cup - Bearing	2	
<i>Detail Description: Use R254-79M installation mandrel to properly install race.:</i>					
44	R254-78	01-102-0060, 01-102-0130, 1-633585, 254-78, 32-7790, 32-9580, 93-4813	Tapered Bearing Cone	2	
45	R253-117	253-117, 253-165	Seal - Outer Triple Lip	2	
46	R150674		Sleeve - Wear 3/4 Plated	2	
47	R3296-15	116-7306, 32118-5, 32127-23, 32127-47, 3296-15	Locknut - 3/4-16 Nylon Jam	2	
48	R1851	107-1997	Fitting - Grease - Flush	2	
48	RB-6783		Adapter - Needle Nose	1	
49	R21-8430	21-8430	Bearing - Roller	2	
49	R85-9970	85-9970	Bearing	2	
50	R150347T		Seal - Nonstick Lip	2	
51	R150334A		Washer - Thrust SAE660 Bronze	2	
52	R150333		Washer - Flat Keyed Outer SS	2	
54	R1503470		Seal - Inner Wiper	2	

All original equipment manufacturers names and part numbers are used for identification purposes only, and we are in no way implying that our products are original equipment parts. Prices subject to change without notice.



Replaces Toro Reelmaster 5300-D Parts

Cutting Unit - Models 03506 & 03509
Rollers



Item No	R&R Part No.	OEM Part No.	Description	Qty Req	Order Quantity
55	R1503230		Washer - Thrust Outer Keyed	2	
56	R1503471		Washer - Thrust SAE660 Bronze	2	
57	R302-5	21-6010, 302-11, 302-37, 302-47, 302-5, 302-57, 302-58, 302-6, 31-0300, 32-9660, 60-0800, 62-3880, 92-4181	Fitting - Grease	2	
58	R500534	1-633585	Bearing - with Cup	2	

Detail Description: Kit includes: 1 ea R254-78- Bearing Cone & R254-79 Bearing Cone:

All original equipment manufacturers names and part numbers are used for identification purposes only, and we are in no way implying that our products are original equipment parts. Prices subject to change without notice.