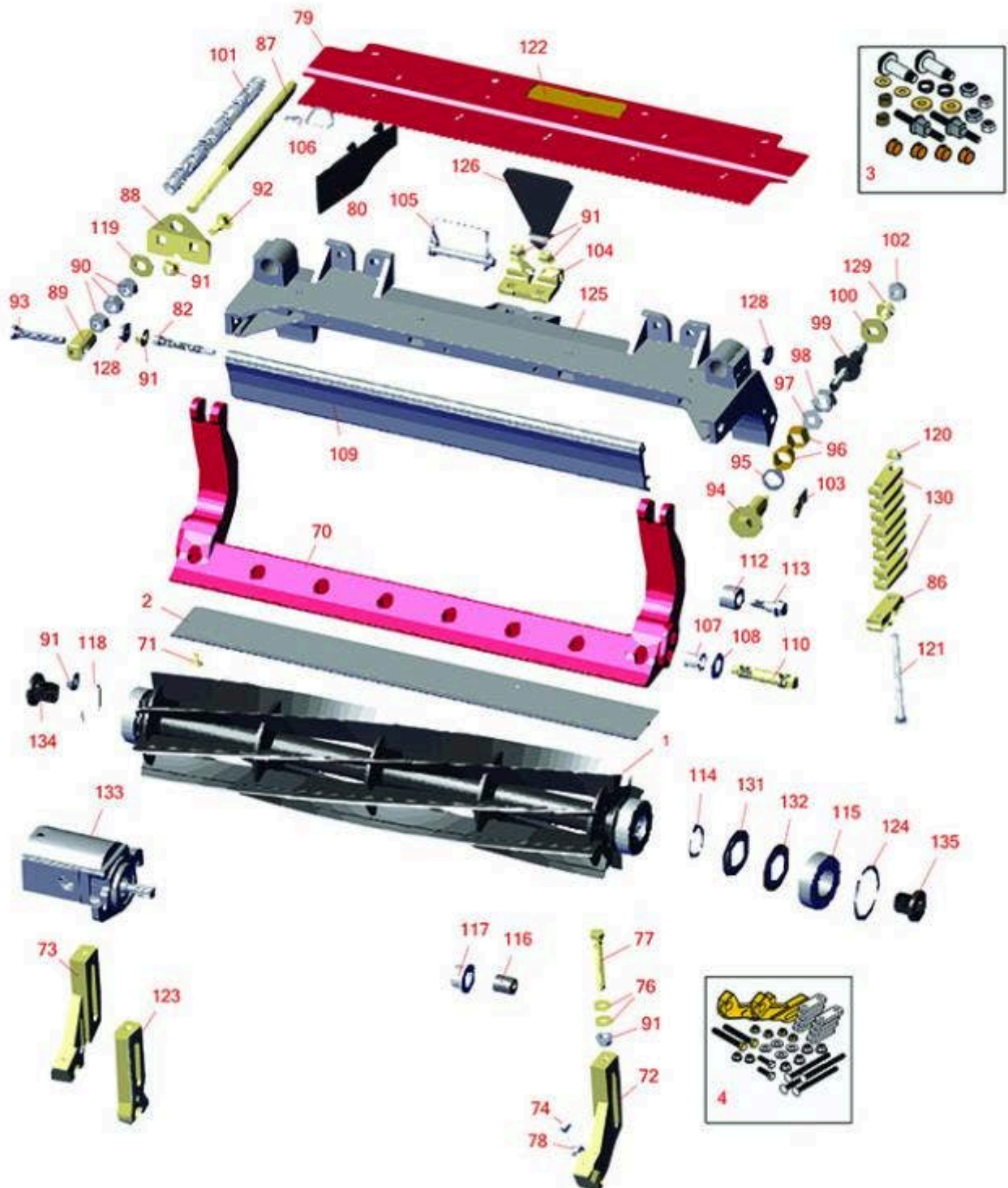




Replaces Toro Reelmaster 3555-D Parts

22in Cutting Unit - Model 03483, 03487 & 03488
Reel & Bedknife



All original equipment manufacturers names and part numbers are used for identification purposes only, and we are in no way implying that our products are original equipment parts. Prices subject to change without notice.



Replaces Toro Reelmaster 3555-D Parts

22in Cutting Unit - Model 03483, 03487 & 03488
Reel & Bedknife



Item No	R&R Part No.	OEM Part No.	Description	Qty Req	Order Quantity
---------	--------------	--------------	-------------	---------	----------------

R&R Reels, Lifetime Guaranteed

1	R132-7109	132-7109	Reel - 8 Blade Razor Series Radial w/Bearings and Seals 22x5	1
---	------------------	----------	--	---

Tech Note: Uses special high alloy premium steel reel blades:

1	R137-8426	137-8426	Reel - 8 Blade Razor Radial w/Bearings and Seals 22x5	1
---	------------------	----------	---	---

Tech Note: Uses special high alloy premium steel reel blades:

1	R131-3204	131-3204	Reel - 11 Blade Radial w/Bearings and Seals 22x5	1
---	------------------	----------	--	---

1	R132-7112	132-7112	Reel - 11 Blade Razor Series Forward Swept w/Bearings and Seals 22x5	1
---	------------------	----------	--	---

Tech Note: Uses special high alloy premium steel reel blades:

1	R137-8427	137-8427	Reel - 11 Blade Razor Series Forward Swept Low Drag w/Bearings and Seals 22x5	1
---	------------------	----------	---	---

Tech Note: Uses special high alloy premium steel reel blades:

1	R137-8429	137-8429	Reel - 11 Blade Razor Series Radial w/Bearings and Seals 22x5	1
---	------------------	----------	---	---

Tech Note: Uses special high alloy premium steel reel blades:

R&R Bedknives, Lifetime Guaranteed

2	R110-4074	110-4074	Bedknife - High Cut	1
---	------------------	----------	---------------------	---

2	R108-9096	108-9096	Bedknife - Standard	1
---	------------------	----------	---------------------	---

2	R110-4084	110-4084	Bedknife - Low Cut	1
---	------------------	----------	--------------------	---

2	R120-1640	120-1640	Bedknife - Low Cut Extended	1
---	------------------	----------	-----------------------------	---

R&R Razor Tool Steel Bedknives, Lifetime Guaranteed

All original equipment manufacturers names and part numbers are used for identification purposes only, and we are in no way implying that our products are original equipment parts. Prices subject to change without notice.



Replaces Toro Reelmaster 3555-D Parts

22in Cutting Unit - Model 03483, 03487 & 03488
Reel & Bedknife



Item No	R&R Part No.	OEM Part No.	Description	Qty Req	Order Quantity
2	R108-9095	108-9095, 137-0833	Bedknife - Razor Tool Steel - 22 High Cut	1	
2	R119-4280	119-4280	Bedknife - Razor Tool Steel - 22 x 3/8 Extended	1	
2	R137-0832	125-2771, 127-7132, 137-0832	Bedknife - Razor Tool Steel 3/8 x 22 Lowcut	1	

Overhaul Kits

3	R120-7230	120-7230	Overhaul Kit - Fits DPA Units	0	
<i>Tech Note: Incl 2 ea.: R108-0015, R115-7039, R119-4155, R120-5116, R120-5118, R120-5120, R3296-33, R3296-48 & 4 ea: R106-5344:</i>					
4	R110-9600	110-9600	High HOC Kit	0	
<i>Tech Note: Includes 1 ea.: R120-0404, R120-0405 & 2 ea: R112-7451, R322-16, R445722 & 4 ea.: R106-9758, R104-8300, R453011, R104-8301 & 8 ea: R106-3925:</i>					

Other Parts Available

70	R105-8095-01	105-8095-01	Bed Bar - Fits OEM Units Only	1	
71	R119-4151	119-4151	Screw - Bedknife 5/16-18 x 17/32	8	
72	R120-0404	120-0404	Bracket- High HOC - LH	1	
<i>Tech Note: Fits 2011 & Newer:</i>					
73	R120-0405	120-0405	Bracket - High HOC - RH	1	
<i>Tech Note: Fits 2011 & Newer:</i>					
74	R322-16	322-16, Apr-00	Bolt - Hex HD 5/16-18 x 1-1/8	2	

All original equipment manufacturers names and part numbers are used for identification purposes only, and we are in no way implying that our products are original equipment parts. Prices subject to change without notice.



Replaces Toro Reelmaster 3555-D Parts

22in Cutting Unit - Model 03483, 03487 & 03488
Reel & Bedknife



Item No	R&R Part No.	OEM Part No.	Description	Qty Req	Order Quantity
76	R453011	01-166-0100, 01-166-0120, 01-166-0270, 01-166-0500, 01-166-0600, 01-166-0620, 132-4593, 2356-3, 237-12, 24-10-AD, 24-11-AD, 24-11-BD, 24-12-AD, 24-12-BD, 30-9310, 32-8190, 3256-24, 3256-3, 3256-36, 3256-4, 453011, 47-9950, 48-9220, 513458, 7-0052	Washer - Flat 3/8 SAE Y/Zinc	4	
77	R112-7451	100-9429, 112-7451	Bolt - Hex Tap 3/8-16 x 2-3/4	2	
78	R445722	30-8980, 32128-2, 32128-20, 32128-20 , 445722	Nut - Serrated Washer	2	
79	R107-2996	107-2996	Grass Shield - Front	1	
80	R110-1706	110-1706	Deflector	5	
82	R107-7773	107-7773	Bolt - Soc HD Cap 5/16-18 x 2-1/2	1	
86	R106-3924	106-3924	Bracket - Rear Roller	2	
87	R107-2970	107-2970	Rod - Spring	1	
88	R110-4069	110-4069	Bracket	1	

All original equipment manufacturers names and part numbers are used for identification purposes only, and we are in no way implying that our products are original equipment parts. Prices subject to change without notice.



Replaces Toro Reelmaster 3555-D Parts

22in Cutting Unit - Model 03483, 03487 & 03488
Reel & Bedknife



Item No	R&R Part No.	OEM Part No.	Description	Qty Req	Order Quantity
89	R99-8662	99-8662	Tube - Spring	1	
90	R443818	01-191-0813, 3218-18, 3218-5, 3248-18	Nut - 1/2-13 Hex Jam Zinc	3	
91	R104-8301	104-8301, 104-9301, 109-6658, 133-7570	Locknut - 3/8-16 Nylon Flanged	2	
92	R3231-25	01-173-0610, 30-9970, 3231-25, 3231-3, 900064P	Bolt - Carriage 3/8-16 x 1-1/4	4	
93	R104-3396	104-3396	Bolt - Hex HD 3/8-16 x 2-1/4	1	
94	R120-5118	120-5118	Shaft - Adjuster	2	
<i>Tech Note: 2012 & Newer:</i>					
95	R120-5116	120-5116	Washer - Wave	2	
96	R106-5344	106-5344	Bushing - Flanged and Keyed	4	
97	R108-0015	108-0015	Washer - Flat	2	
98	R3296-33	3296-33	Locknut - 5/8-18 ESNA Jam	4	
99	R115-7039	115-7039	Screw - Adjuster - Bedbar	2	
99	R137-6130	137-6130	Screw - Adjuster - Hardened - Bedbar	2	
100	R119-4155	119-4155	Washer - Hardened	2	
101	R112-1725	112-1725	Spring - Compression	1	
102	R3296-48	119-4039, 32146-7, 3296-34, 3296-48	Locknut - 7/16-14 ESNA	2	

All original equipment manufacturers names and part numbers are used for identification purposes only, and we are in no way implying that our products are original equipment parts. Prices subject to change without notice.



Replaces Toro Reelmaster 3555-D Parts

22in Cutting Unit - Model 03483, 03487 & 03488
Reel & Bedknife



Item No	R&R Part No.	OEM Part No.	Description	Qty Req	Order Quantity
103	R99-2097	99-2097	Detent - Bed Bar Adjuster	2	
104	R110-4058	110-4058	Bracket - Chain	1	
105	R107-7400	107-7400	Pin - Lynch	1	
106	R92-2762	92-2762	Pin - Snap	1	
107	R56-9520	56-9520	Bushing - Nylon	2	
108	R61-1950	61-1950	Washer - Nylon - Bed Bar	4	
109	R125-2098	125-2098	Grass Shield - Rear 22" Unit	1	
110	R106-9623	106-9623	Bolt - Bedbar	2	
112	R106-9618	106-9618	Bushing - Rubber	2	
113	R107-2979	107-2979	Bolt - Shoulder	4	
114	R92-2601	92-2601	Snap Ring	2	
115	R115-3296	115-3296	Bearing	2	
116	R108-4279	108-4279	Spacer - Frame	2	
117	R93-2877	93-2877	Bushing - Flanged	2	
118	R237-68	237-68	O-Ring	2	
119	R87-7270-01	87-7270, 87-7270-01	Washer - Flat 1/2	1	
120	R104-8300	104-8300, 104-8300 , 119-4041	Locknut - 5/16-18 Flanged Y/Zinc	4	
121	R3230-30	3230-30	Bolt - Carriage 5/16x4 1/2	4	
122	R93-6688	93-6688	Decal - Warning	1	
123	R125-2796	125-2796	Bracket- Front HOC	2	

All original equipment manufacturers names and part numbers are used for identification purposes only, and we are in no way implying that our products are original equipment parts. Prices subject to change without notice.



Replaces Toro Reelmaster 3555-D Parts

22in Cutting Unit - Model 03483, 03487 & 03488
Reel & Bedknife



Item No	R&R Part No.	OEM Part No.	Description	Qty Req	Order Quantity
<i>Tech Note: Fits 2013 & Newer:</i>					
124	R105-5700	105-5700, 115-5258	Wave Washer - Bearing	1	
125	R107-2951	107-2951	Frame	1	
126	R110-4088-03	110-4088-03, 119-8010-03	Kickstand	1	
128	R32128-43	30-8990, 32128-43, 3290-357	Nut - Flanged Whiz - 3/8-16	5	
129	R120-5120	120-5120	Spring - Compression	2	
130	R119-0626	119-0626	Shim - Roller - 1/4 in - Slotted	8	
131	R127-4284	127-4284	Washer - Special	2	
132	R115-3299	115-3299	Seal- Flocked	2	
133	R120-2072	100-6426, 108-6487, 112-9200, 120-2072, 93-1375	Hydraulic Gear Motor	1	
134	R130-0063	130-0063	Insert-Threaded, 5 Inch (RH)	1	
135	R130-0064	130-0064	Insert-Threaded, 5 Inch (LH)	1	

All original equipment manufacturers names and part numbers are used for identification purposes only, and we are in no way implying that our products are original equipment parts. Prices subject to change without notice.