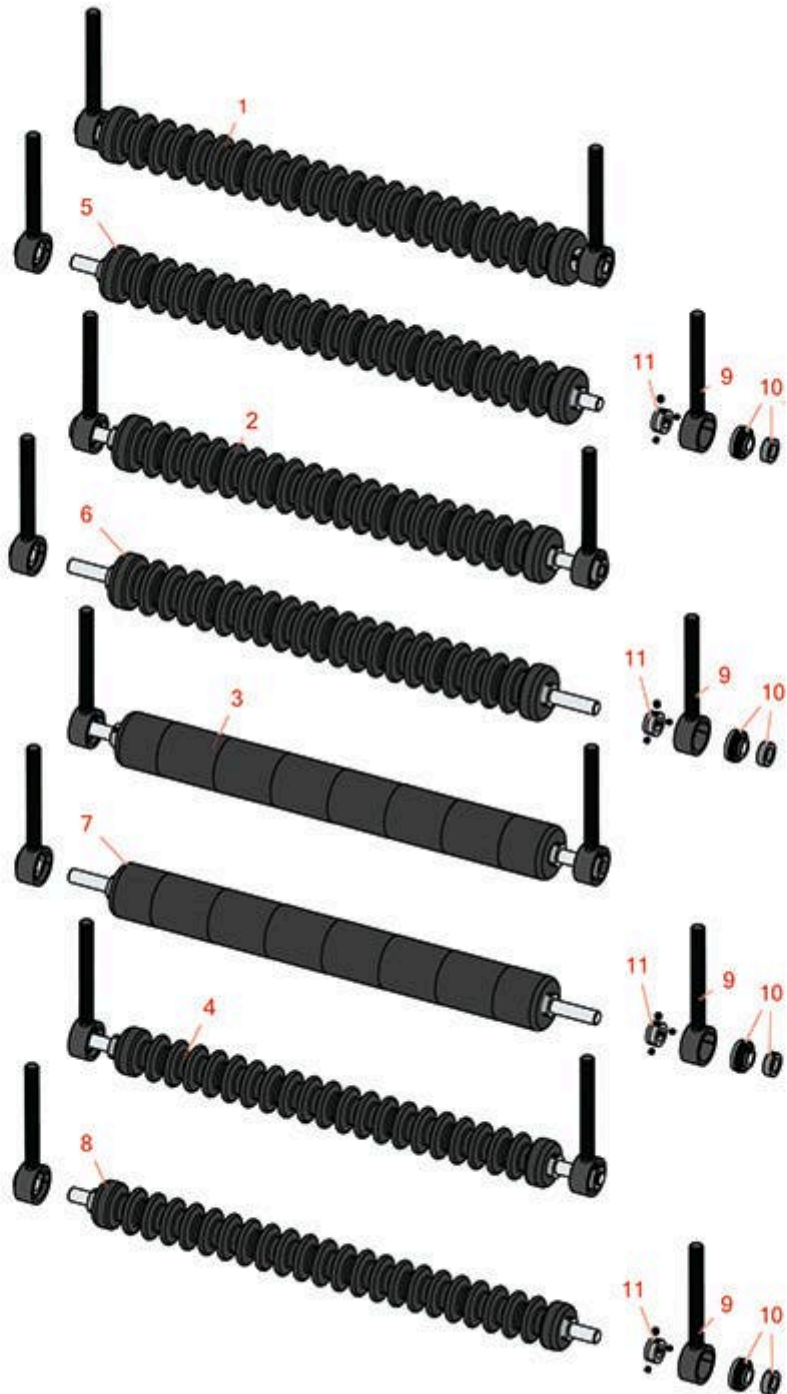




Replaces Toro Reelmaster 3500-D Parts

Cutting Unit
Minuteman Roller System



All original equipment manufacturers names and part numbers are used for identification purposes only, and we are in no way implying that our products are original equipment parts. Prices subject to change without notice.



Replaces Toro Reelmaster 3500-D Parts

Cutting Unit

Minuteman Roller System



Item No	R&R Part No.	OEM Part No.	Description	Qty Req	Order Quantity
---------	--------------	--------------	-------------	---------	----------------

Complete Minuteman Roller Systems

1	RMT5001		Minuteman Front Grooved Roller System	0	
---	----------------	--	---------------------------------------	---	--

Tech Note: Complete roller systems include roller and two brackets with bearings.:

2	RMT5002		Minuteman Rear Grooved Roller System	0	
---	----------------	--	--------------------------------------	---	--

Tech Note: Complete roller systems include roller and two brackets with bearings.:

3	RMT5003		Minuteman Rear Smooth Roller System	0	
---	----------------	--	-------------------------------------	---	--

Tech Note: Complete roller systems include roller and two brackets with bearings.:

4	RMT5008		Minuteman Front Grooved Roller System	0	
---	----------------	--	---------------------------------------	---	--

Tech Note: Complete roller systems include roller and two brackets with bearings.:

Minuteman Rollers Only

5	RM531		Minuteman Grooved Roller Only	0	
---	--------------	--	-------------------------------	---	--

Tech Note: Use with Minuteman Roller Bracket System Only:

6	RM532		Minuteman Grooved Roller Only	0	
---	--------------	--	-------------------------------	---	--

Tech Note: Use with Minuteman Roller Bracket System Only:

7	RM533		Minuteman Smooth Roller Only	0	
---	--------------	--	------------------------------	---	--

Tech Note: Use with Minuteman Roller Bracket System Only:

8	RM530		Minuteman Grooved Roller Only	0	
---	--------------	--	-------------------------------	---	--

Tech Note: Use with Minuteman Roller Bracket System Only:

Other Parts Available

9	RT521		Bracket - Front/Rear RH/LH	0	
---	--------------	--	----------------------------	---	--

10	RMMB204		Bearing w/Locking Collar	0	
----	----------------	--	--------------------------	---	--

11	RMM3		End Hub - 7/8 ID	0	
----	-------------	--	------------------	---	--

All original equipment manufacturers names and part numbers are used for identification purposes only, and we are in no way implying that our products are original equipment parts. Prices subject to change without notice.



Replaces Toro Reelmaster 3500-D Parts

Cutting Unit

Minuteman Roller System



All original equipment manufacturers names and part numbers are used for identification purposes only, and we are in no way implying that our products are original equipment parts. Prices subject to change without notice.