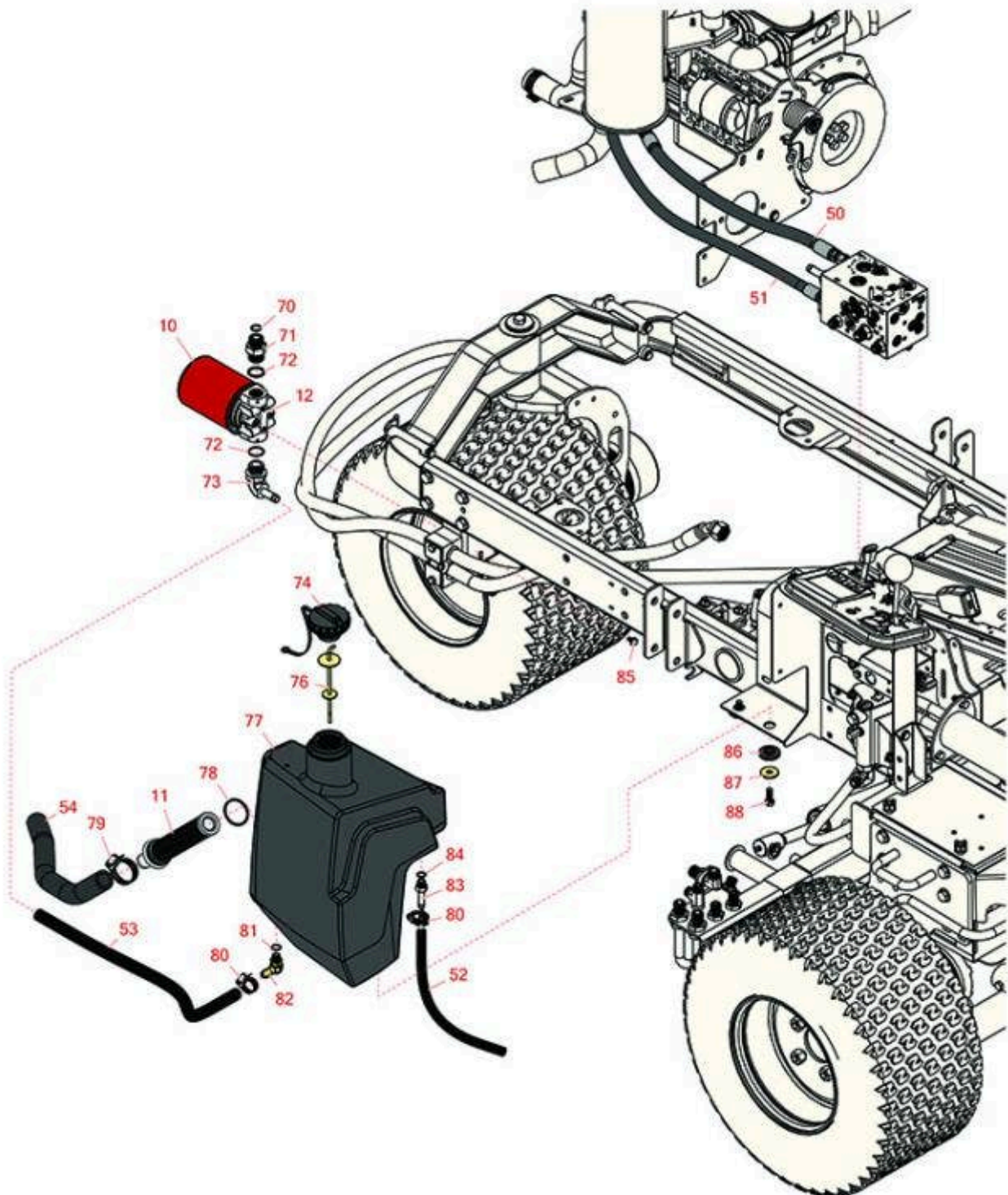




Replaces Toro Reelmaster 3100-D Parts

Traction Unit - Model 03207

Hydraulic Tank



All original equipment manufacturers names and part numbers are used for identification purposes only, and we are in no way implying that our products are original equipment parts. Prices subject to change without notice.



Replaces Toro Reelmaster 3100-D Parts

Traction Unit - Model 03207

Hydraulic Tank



Item No	R&R Part No.	OEM Part No.	Description	Qty Req	Order Quantity
Filters					
10	R86-3010	23-9740, 239470, 28-1370, 281370, 353-387, 353387, 54-0110, 540110, 76-6490, 86-3010, 863010, Dec-70	Baldwin Hydraulic Oil Filter	1	
10	RRF10611	01-317-0240, 23-9740, 54-0110	SilverGuard Hydraulic Oil Filter	1	
10	RRF10610	28-1370, 353-387, 353387, 54-0110, 76-6490, 86-3010	SilverGuard Oil Filter	1	
11	R104-7546	104-7546, 104-7546`	Strainer - Tank	1	
12	R150924		Filter Head Assy	1	
12	R92-5821	86-3000, 92-5821	Filter - Head	1	
Hoses					
50	R95-8829	95-8829	Hydraulic Hose Assy	1	
51	R106-4197	106-4197	Hydraulic Hose Assy	1	
52	R104-4846	104-4846	Hose	1	
53	R99-3501	99-3501	Hose	1	
54	R104-4845	104-4845	Hose - Suction	1	

All original equipment manufacturers names and part numbers are used for identification purposes only, and we are in no way implying that our products are original equipment parts. Prices subject to change without notice.



Replaces Toro Reelmaster 3100-D Parts

Traction Unit - Model 03207

Hydraulic Tank



Item No	R&R Part No.	OEM Part No.	Description	Qty Req	Order Quantity
---------	--------------	--------------	-------------	---------	----------------

Other Parts Available

70	R237-65	237-65, 237.65	O-Ring	1	
71	R340-8	340-8	Adapter	1	
72	R237-81	237-81, 237.81, 327-81	O-Ring	2	
73	R95-8814	95-8814	Fitting - Barbed 90 Deg	1	
74	R93-7160	93-3103, 93-7160	Cap - Hyd Oil w/Tether	1	
76	R75-3710	75-3710	Dipstick - Hyd Oil	1	
77	R104-4840	104-4840	Tank - Hyd	1	
78	R340-136	340-136	O-Ring	1	
79	R2412-34	2412-34, 31-0120	Clamp - Hose .75-1.5	1	
<i>Detail Description: Stainless steel hose clamp with 5/16" slotted hex head, heat treated carbon steel, plated with zinc plus trivalent chromate for long lasting protection.:</i>					
80	R2412-36	2210-87, 2412-36, 31-9140, 93-5818, 99-0772	Clamp - Hose 1/2	3	
81	R237-79	237-79	O-Ring	1	
82	R354-126	354-126	Hydraulic Fitting - 45 Deg	1	
83	R353-979	353-979	Fitting - Straight	1	
84	R237-42	237-42, 31-4160	O-Ring	1	

All original equipment manufacturers names and part numbers are used for identification purposes only, and we are in no way implying that our products are original equipment parts. Prices subject to change without notice.



Replaces Toro Reelmaster 3100-D Parts

Traction Unit - Model 03207

Hydraulic Tank



Item No	R&R Part No.	OEM Part No.	Description	Qty Req	Order Quantity
85	R3234-13	3234-13, 960151P	Bolt - Flanged Hex 1/4-20	2	
86	R240-11	240-11	Bushing - Rubber - Flanged	4	
87	R63-8410	53-6380, 63-4810, 63-8410	Washer - Isolator Bushing	4	
88	R3234-11	3234-11	Bolt - Hex Washer HD	4	

All original equipment manufacturers names and part numbers are used for identification purposes only, and we are in no way implying that our products are original equipment parts. Prices subject to change without notice.