

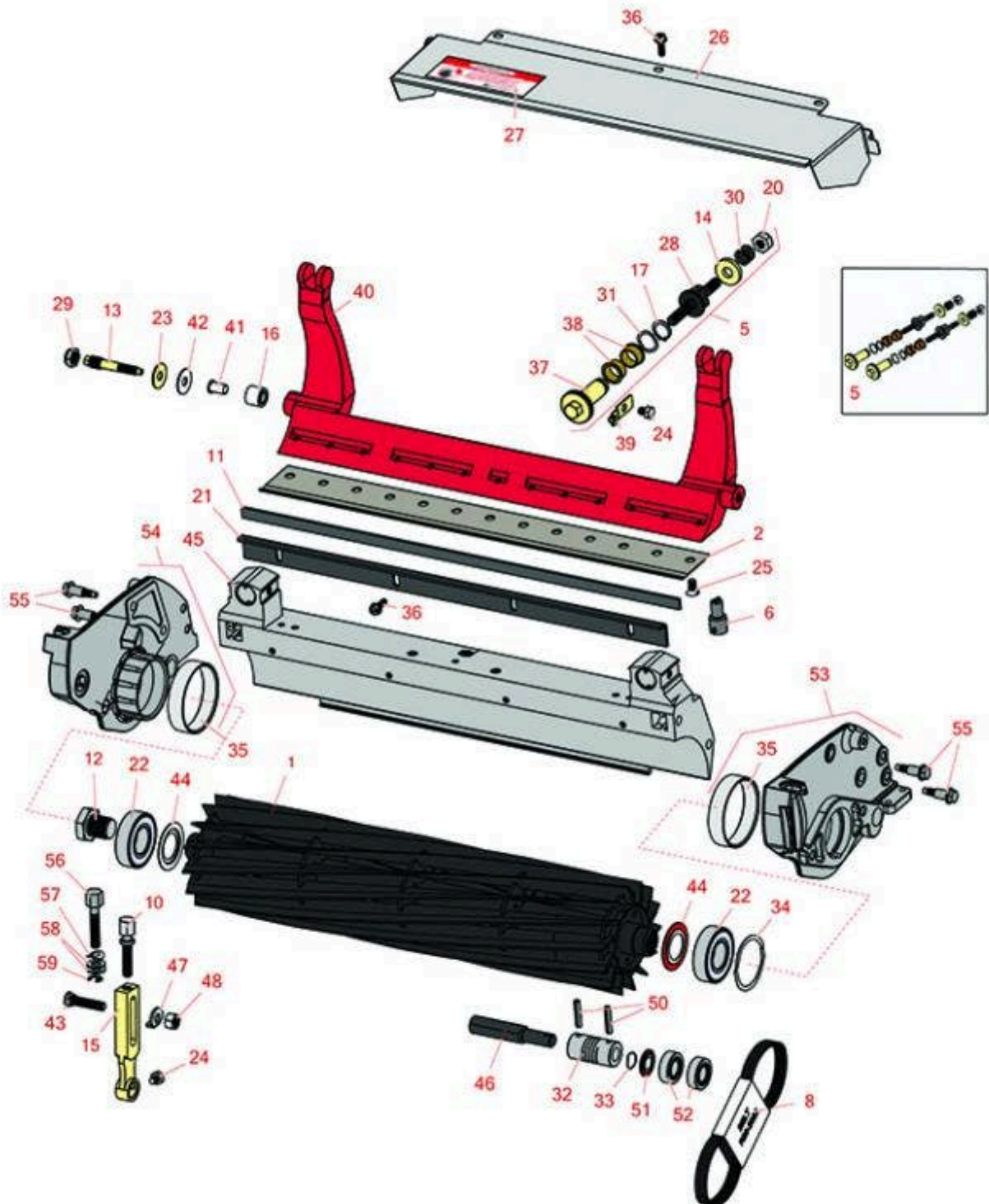


# Replaces Toro Greensmaster eFlex 2100

## Parts

DPA Cutting Unit - Model 04251 & 04252

Reel & Bedknife



All original equipment manufacturers names and part numbers are used for identification purposes only, and we are in no way implying that our products are original equipment parts. Prices subject to change without notice.



# Replaces Toro Greensmaster eFlex 2100 Parts

DPA Cutting Unit - Model 04251 & 04252  
Reel & Bedknife



Item No	R&R Part No.	OEM Part No.	Description	Qty Req	Order Quantity
<b>Overhaul Kit</b>					
5	<b>R121-2637</b>	121-2637	Overhaul Kit - DPA Adjusters	1	
<b>R&amp;R Reels, Lifetime Guaranteed</b>					
1	<b>R119-4103</b>	119-4103	Reel - 8 Blade	1	
1	<b>R127-2200</b>	127-2200	Reel - 8 Blade Low Drag	1	
<i>Tech Note: Low Drag:</i>					
1	<b>R132-7340</b>	132-7340	Reel - 8 Blade Razor Series Low Drag	1	
<i>Tech Note: Uses special high alloy premium steel reel blades:</i>					
1	<b>R137-8511</b>	137-8511	Reel - 8 Blade Razor Series Low Drag w/Bearings and Seals 21	1	
<i>Tech Note: Uses special high alloy premium steel reel blades:</i>					
1	<b>R119-4104</b>	119-4104	Reel - 11 Blade	1	
1	<b>R127-2201</b>	127-2201	Reel - 11 Blade Low Drag	1	
<i>Tech Note: Low Drag:</i>					
1	<b>R132-7341</b>	132-7341	Reel - 11 Blade Razor Series Low Drag 21	1	
<i>Tech Note: Uses special high alloy premium steel reel blades:</i>					
1	<b>R137-8512</b>	137-8512	Reel - 11 Blade Razor Series Low Drag w/Bearings and Seals 21	1	
<i>Tech Note: Uses special high alloy premium steel reel blades:</i>					
1	<b>R119-4105</b>	119-4105	Reel - 14 Blade	1	
1	<b>R127-2202</b>	127-2202	Reel - 14 Blade Low Drag 21	1	
<i>Tech Note: Low Drag:</i>					
1	<b>R132-7342</b>	132-7342	Reel - 14 Blade Razor Series Low Drag 21	1	

All original equipment manufacturers names and part numbers are used for identification purposes only, and we are in no way implying that our products are original equipment parts. Prices subject to change without notice.



# Replaces Toro Greensmaster eFlex 2100 Parts



DPA Cutting Unit - Model 04251 & 04252  
Reel & Bedknife

Item No	R&R Part No.	OEM Part No.	Description	Qty Req	Order Quantity
---------	--------------	--------------	-------------	---------	----------------

*Tech Note: Uses special high alloy premium steel reel blades:*

1	<b>R137-8513</b>	137-8513	Reel - 14 Blade Razor Series Low Drag w/Bearings and Seals 21	1	
---	------------------	----------	---	---	--

*Tech Note: Uses special high alloy premium steel reel blades:*

### **R&R Bedknives, Lifetime Guaranteed**

2	<b>R108-4302</b>	108-4301, 108-4302	Bedknife - Tournament Cut Extended .125 - .500 HOC	1	
---	------------------	-----------------------	--	---	--

2	<b>R108-4303</b>	104-7720, 108-4303	Bedknife - Micro Cut Extended .062 - .187 HOC	1	
---	------------------	-----------------------	---	---	--

2	<b>R93-4262</b>	65-8250, 93-4262, 93-4263	Bedknife - Micro Cut .062 - .187 HOC	1	
---	-----------------	---------------------------------	--------------------------------------	---	--

2	<b>R93-4264</b>	57-4960, 63-8470, 93-4264	Bedknife - Low Cut .187 - 1.00 HOC	1	
---	-----------------	---------------------------------	------------------------------------	---	--

2	<b>R94-6392</b>	62-2500, 94-6392	Bedknife - High Cut .312 - 1.00 HOC	1	
---	-----------------	---------------------	-------------------------------------	---	--

2	<b>R150466</b>	63-8600, 64-6393, 94-6393	Bedknife - Super Thick .312 - 1.00 HOC	1	
---	----------------	---------------------------------	--	---	--

2	<b>R93-4263</b>	63-8560, 66-9320, 93-4263, 93-6039	Bedknife - Tournament Cut .125 - .500 HOC	1	
---	-----------------	---	---	---	--

### **R&R Razor Tool Steel Bedknives, Lifetime Guaranteed**

2	<b>R115-1881</b>	115-1881	Bedknife - Razor Tool Steel - 21 Tournament Cut .125 - .500 HOC	1	
---	------------------	----------	---	---	--

*Tech Note: Razor Tool Steel Bedknives are constructed from high grade tool steel for extended life and optimum cut.:*

2	<b>R115-1880</b>	115-1880	Bedknife - Razor Tool Steel - 21 Micro Cut .062 - .187 HOC	1	
---	------------------	----------	--	---	--

All original equipment manufacturers names and part numbers are used for identification purposes only, and we are in no way implying that our products are original equipment parts. Prices subject to change without notice.



# Replaces Toro Greensmaster eFlex 2100 Parts

DPA Cutting Unit - Model 04251 & 04252  
Reel & Bedknife



Item No	R&R Part No.	OEM Part No.	Description	Qty Req	Order Quantity
---------	--------------	--------------	-------------	---------	----------------

*Tech Note: Razor Tool Steel Bedknives are constructed from high grade tool steel for extended life and optimum cut.:*

2	<b>R150492</b>	150492	Bedknife - Razor Tool Steel - 21 Micro Cut Ext	1
---	----------------	--------	--	---

*Tech Note: Razor Tool Steel Bedknives are constructed from high grade tool steel for extended life and optimum cut.:*

2	<b>R112-7475</b>	112-7475	Bedknife - Razor Tool Steel - 22 x 3/8 Fairway	1
---	------------------	----------	--	---

*Tech Note: Razor Tool Steel Bedknives are constructed from high grade tool steel for extended life and optimum cut.:*

## Service Tools

6	<b>R51-0880</b>	51-0880	Bedknife Screw Driver Tool	0
---	-----------------	---------	----------------------------	---

## Belts

8	<b>R99-2022</b>	99-2022	Belt - Reel Drive	1
---	-----------------	---------	-------------------	---

## Other Parts Available

10	<b>R110-7352</b>	110-7352	Screw - HOC 2 5/8 Stainless	2
----	------------------	----------	-----------------------------	---

11	<b>R106-2619</b>	106-2619	Seal - Strip	1
----	------------------	----------	--------------	---

12	<b>R115-7263</b>	115-7263	Bolt - Bearing Lock	1
----	------------------	----------	---------------------	---

13	<b>R117-9493</b>	117-9493	Bolt - Bed Bar - Hardened	2
----	------------------	----------	---------------------------	---

14	<b>R119-4155</b>	119-4155	Washer - Hardened	2
----	------------------	----------	-------------------	---

15	<b>R115-7041</b>	115-7041	Bracket - Front Roller 5 1/4 in	2
----	------------------	----------	---------------------------------	---

16	<b>R119-4153</b>	119-4153	Bushing - Rubber	2
----	------------------	----------	------------------	---

17	<b>R32120-93</b>	32120-93	Snap Ring - HD	2
----	------------------	----------	----------------	---

20	<b>R3296-48</b>	119-4039, 32146-7, 3296-34, 3296-48	Locknut - 7/16-14 ESNA	2
----	-----------------	--	------------------------	---

All original equipment manufacturers names and part numbers are used for identification purposes only, and we are in no way implying that our products are original equipment parts. Prices subject to change without notice.



# Replaces Toro Greensmaster eFlex 2100 Parts

*DPA Cutting Unit - Model 04251 & 04252  
Reel & Bedknife*



Item No	R&R Part No.	OEM Part No.	Description	Qty Req	Order Quantity
21	<b>R115-3303-03</b>	115-3303-03	Bar - Cutoff	1	
22	<b>R115-3296</b>	115-3296	Bearing	2	
23	<b>R52-2860</b>	119-4150, 52-2860	Washer - Bed Bar Pivot	2	
24	<b>R114-9396</b>	114-9396, 119-4067	Bolt - Hex HD 5/16-18 x 3/8	2	
25	<b>R119-4151</b>	119-4151	Screw - Bedknife 5/16-18 x 17/32	13	
26	<b>R120-9588</b>	120-9588	Grass Shield Asm	1	
27	<b>R354083</b>	104-7729, 354083	Decal - Danger	1	
28	<b>R115-7039</b>	115-7039	Screw - Adjuster - Bedbar	2	
29	<b>R3296-28</b>	119-4154, 140-9234, 32127-34, 32128-7, 32128-8, 32136-7, 3296-28	Nut - 1/2-20 ESNA Jam	2	
30	<b>R119-4156</b>	119-4156	Spring - Compression	2	
31	<b>R119-4164</b>	119-4164	Washer - Wave	2	
32	<b>R115-6867</b>	115-6867	Coupling - Flex	1	
33	<b>R115-7143</b>	115-7143	Spring - Wave	1	
34	<b>R105-5700</b>	105-5700, 115-5258	Wave Washer - Bearing	1	
35	<b>R117-6619</b>	117-6619	Bushing	2	
36	<b>R119-4012</b>	119-4012	Screw - Hx Washer HD Self Threading	7	
37	<b>R106-5363</b>	106-5363	Shaft - Adjusting - Bed Bar - Stainless	2	

All original equipment manufacturers names and part numbers are used for identification purposes only, and we are in no way implying that our products are original equipment parts. Prices subject to change without notice.



# Replaces Toro Greensmaster eFlex 2100 Parts

*DPA Cutting Unit - Model 04251 & 04252  
Reel & Bedknife*



Item No	R&R Part No.	OEM Part No.	Description	Qty Req	Order Quantity
38	<b>R106-5344</b>	106-5344	Bushing - Flanged and Keyed	4	
39	<b>R99-2097</b>	99-2097	Detent - Bed Bar Adjuster	2	
40	<b>R99-3794-01</b>	99-3794-01, 99-3794-03	Bed Bar - Aggressive	1	
40	<b>R106-2648-01</b>	106-2648-01	Bed Bar	1	
41	<b>R52-2890</b>	52-2890	Bushing - Flanged	2	
42	<b>R52-2900</b>	52-2900	Washer - Nylon	4	
43	<b>R99-3773</b>	99-3773	Bolt- Plow 3/8-16 x 1 3/4	2	
44	<b>R115-3299</b>	115-3299	Seal- Flocked	2	
45	<b>R119-9303</b>	105-5799, 119-9303	Frame - Crossmember	1	
46	<b>R115-6882</b>	115-6882	Hex Shaft - Reel	1	
47	<b>R104-2603</b>	104-2603, 119-4158	Washer - HOC Bracket	2	
48	<b>R115-7193</b>	115-7193	Nut-HOC	2	
50	<b>R32121-69</b>	120-8095, 32121-69	Pin - Roll 1/4 x 1-1/4	2	
51	<b>R115-6923</b>	115-6923	Shield - Bearing - Flocked	1	
52	<b>R115-6869</b>	115-6869	Bearing - Ball -Stainless	2	
53	<b>R119-4005</b>	119-4005	Side Plate Assy-LH Incl R117-6619	1	
54	<b>R119-4007</b>	119-4007	Side Plate Assy-RH Incl R117-6619	1	
55	<b>R115-7042</b>	115-7042	Bolt-Shoulder, Flange	4	

All original equipment manufacturers names and part numbers are used for identification purposes only, and we are in no way implying that our products are original equipment parts. Prices subject to change without notice.