

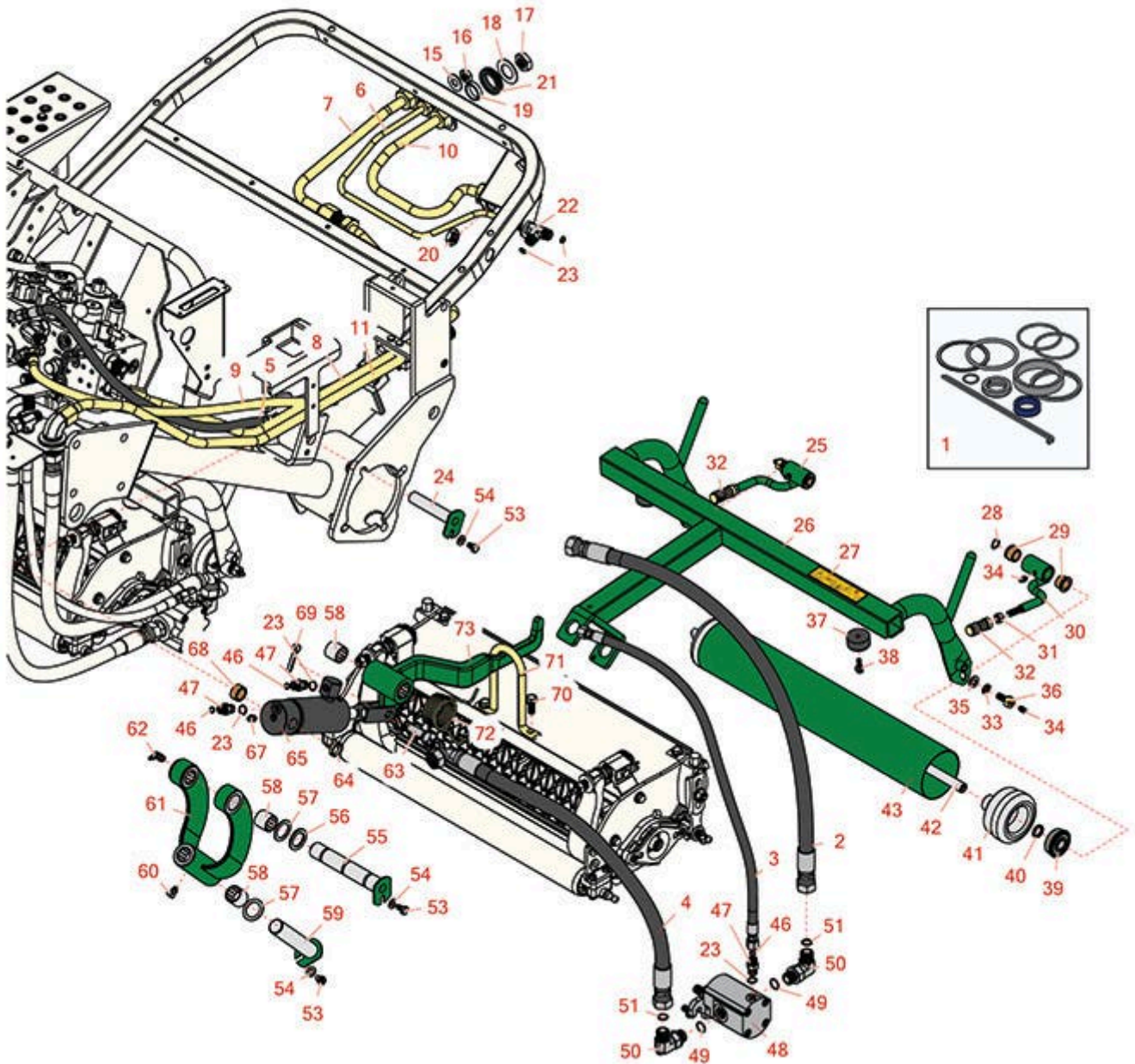


Replaces R&R Products Greens Max

2200LP Parts

Traction Unit

Right Pull Frame



All original equipment manufacturers names and part numbers are used for identification purposes only, and we are in no way implying that our products are original equipment parts. Prices subject to change without notice.



Replaces R&R Products Greens Max

2200LP Parts

Traction Unit

Right Pull Frame



| Item No | R&R Part No. | OEM Part No. | Description | Qty Req | Order Quantity |
|---------|--------------|--------------|-------------|---------|----------------|
|---------|--------------|--------------|-------------|---------|----------------|

Overhaul Kits and Service Tools

| | | | | | |
|---|------------------|--|----------------------------------|---|--|
| 1 | R107-2564 | | Seal Kit - Fits 107-1981 Hyd Cyl | 1 | |
|---|------------------|--|----------------------------------|---|--|

Hoses

| | | | | | |
|----|------------------|------------------------|----------------------------------|---|--|
| 2 | R95-2908 | R105-5403, R93-2262 | Hydraulic Hose Assy - Reel Motor | 1 | |
| 3 | R105-5405 | | Hydraulic Hose Assy | 1 | |
| 4 | R105-5404 | | Hydraulic Hose Assy | 1 | |
| 5 | R108-6505 | | Hydraulic Hose Assy | 1 | |
| 6 | R107-2583 | | Tube-Hyd | 1 | |
| 7 | R107-2581 | | Tube-Hyd | 1 | |
| 8 | R107-2582 | | Tube-Hyd | 1 | |
| 9 | R108-6506 | | Hydraulic Hose Assy | 1 | |
| 10 | R107-2580 | | Tube-Hyd | 1 | |
| 11 | R105-5493 | | Tube-Hyd | 1 | |

Other Parts Available

| | | | | | |
|----|----------------|--|---------------------|---|--|
| 15 | R453017 | 3256-26, R01-166-0050, R01-166-0240, R01-166-0800, R24-13-AD, R24-14-AD, R32-8110, R3256-6, R452012, R69-8980 | Washer - Flat 1/2 | 2 | |
| 16 | R340-78 | | Nut - Lock Bulkhead | 1 | |
| 17 | R340-74 | | Locknut - Bulkhead | 3 | |

All original equipment manufacturers names and part numbers are used for identification purposes only, and we are in no way implying that our products are original equipment parts. Prices subject to change without notice.



Replaces R&R Products Greens Max

2200LP Parts

Traction Unit

Right Pull Frame



| Item No | R&R Part No. | OEM Part No. | Description | Qty Req | Order Quantity |
|---------|------------------|---|--------------------------------|---------|----------------|
| 18 | R69-9010 | | Washer | 7 | |
| 19 | R69-9000 | R125-1984 | Spacer | 2 | |
| 20 | R340-70 | | Nut - Lock | 1 | |
| 21 | R240-3 | | Grommet- Rubber | 3 | |
| 22 | R340-68 | R340-120 | Fitting - Tee - Bulkhead | 1 | |
| 23 | R237-22 | R107-8844, R232-72, R237-78 | O-Ring | 6 | |
| 24 | R10-6060G | | Pin - Pivot 3-7/8 Long - Green | 1 | |
| 25 | R92-0586G | | Arm - Pull LH - Green | 1 | |
| 26 | R92-9177G | | Frame - Pull RH - Green | 1 | |
| 27 | R93-6688 | | Decal - Warning | 1 | |
| 28 | R3290-317 | | Washer - Wave | 2 | |
| 29 | R3-1506 | R256-287, R3709088, R4-4550, R75-2160, R9329 | Bushing - Bronze | 4 | |
| 30 | R92-0585G | | Arm - Pull RH - Green | 1 | |
| 31 | R3220-3 | R01-191-0624, R3290-149 | Nut - Jam Ball Joint | 2 | |
| 32 | R99-1460 | R2411-28, R2411-29, R2411-30, R2411-6, R2411-8, R8-7710, R94-2959 | Receiver - Ball Joint | 2 | |

All original equipment manufacturers names and part numbers are used for identification purposes only, and we are in no way implying that our products are original equipment parts. Prices subject to change without notice.



Replaces R&R Products Greens Max

2200LP Parts

Traction Unit

Right Pull Frame



| Item No | R&R Part No. | OEM Part No. | Description | Qty Req | Order Quantity |
|---------|-----------------|--|-------------------|---------|----------------|
| 33 | R3253-21 | 3253-21, R215-51, R30-8470, R7-1912, RMT3949 | Washer - Lock 3/8 | 2 | |
| 34 | R302-5 | R173-0, R21-6010, R255825, R302-37, R302-47, R302-57, R302-58, R302-6, R31-0300, R32-9660, R471214, R471223, R471226, R60-0800, R62-3880, R92-4181, RJD7797, RJD7842, RJD7844, RM0004 | Fitting - Grease | 4 | |

All original equipment manufacturers names and part numbers are used for identification purposes only, and we are in no way implying that our products are original equipment parts. Prices subject to change without notice.



Replaces R&R Products Greens Max

2200LP Parts

Traction Unit

Right Pull Frame



| Item No | R&R Part No. | OEM Part No. | Description | Qty Req | Order Quantity |
|---------|------------------|---|---------------------------------|---------|----------------|
| 35 | R453011 | 3256-24, 453011, R01-166-0100, R01-166-0120, R01-166-0270, R01-166-0500, R01-166-0600, R01-166-0620, R132-4593, R237-12, R24-10-AD, R24-11-AD, R24-11-BD, R24-12-AD, R24-12-BD, R30-9310, R32-8190, R3256-24, R3256-3, R3256-36, R3256-4, R47-9950 | Washer - Flat 3/8 SAE Y/Zinc | 2 | |
| 36 | R11-0160 | | Screw - Roller Shaft | 2 | |
| 37 | R94-4548 | | Rubber Bumper | 2 | |
| 38 | R49-2040 | R32104-42, R32104-95, R32144-44 | Bolt - Hex Washer 1/4-20 x 3/4 | 2 | |
| 39 | R251-141 | | Bearing - Roller | 2 | |
| 40 | R253-83 | | Seal - Oil 7/8 OD x 5/8 ID | 2 | |
| 41 | R25-5551 | | Roller End - Alum Basket Roller | 2 | |
| 42 | R21-8470 | | Shaft - Roller | 1 | |
| 43 | R99-4277G | | Basket Roller - Smooth - Green | 1 | |
| 46 | R237-21 | | O-Ring | 3 | |
| 47 | R340-92 | | Hydraulic Fitting - Striaight | 3 | |

All original equipment manufacturers names and part numbers are used for identification purposes only, and we are in no way implying that our products are original equipment parts. Prices subject to change without notice.



Replaces R&R Products Greens Max

2200LP Parts

Traction Unit

Right Pull Frame



| Item No | R&R Part No. | OEM Part No. | Description | Qty Req | Order Quantity |
|---------|------------------|--|-----------------------------|---------|----------------|
| 48 | R120-2072 | R100-6426, R108-6487, R112-9200, R93-1375 | Hydraulic Gear Motor | 1 | |
| 49 | R237-79 | | O-Ring | 2 | |
| 50 | R340-98 | | Hydraulic Fitting | 2 | |
| 51 | R237-30 | R23-6320 | O-Ring - Seal | 2 | |
| 53 | R322-1 | R01-178-0504, R20-22-AD, R20-22-AGD, R513337, RB310801 | Bolt - Hex HD 5/16-18 x 1/2 | 3 | |
| 54 | R453009 | 3256-3, R01-166-0400, R24-10-BD, R24-9-AD, R24H1136, R32-9650, R3256-2, R3256-23, R3256-67, R3290-217, R3556-3, R4-2390, R452006, R7-0152 | Washer - Flat 5/16 SAE | 3 | |
| 55 | R114-4683 | | Pin - Hinge 6-1/4 Long | 1 | |
| 56 | R5-1226 | | Spacer | 2 | |
| 57 | R10-8110 | | Washer - Pivot Pin | 6 | |
| 58 | R3-0348 | R324124, R342124 | Bushing | 6 | |
| 59 | R10-6090 | | Pin - Pivot 4 7/8 Long | 1 | |
| 60 | R302-60 | | Zerk - Grease 90 Deg. | 1 | |

All original equipment manufacturers names and part numbers are used for identification purposes only, and we are in no way implying that our products are original equipment parts. Prices subject to change without notice.



Replaces R&R Products Greens Max

2200LP Parts

*Traction Unit
Right Pull Frame*



| Item No | R&R Part No. | OEM Part No. | Description | Qty Req | Order Quantity |
|---------|-------------------|--|------------------------------|---------|----------------|
| 61 | R10-7820G | | Pivot Hinge Assy - Green | 1 | |
| 62 | R323016 | R302-33 | Zerk - Grease | 1 | |
| 63 | R283-8 | R17-3670, R7-2035 | Clevis Pin - 1/2 x 1-27/64 | 1 | |
| 64 | R105-3828 | | Spacer - Lift Cyl | 1 | |
| 65 | R106-9066 | | Hydraulic Cylinder - LH / RH | 1 | |
| 67 | R471219 | 471219, R30-8360, R302-2, R302-24, R302-31, R471231, RJD7759, RJD7798 | Zerk - Grease | 1 | |
| 68 | R74-3730 | R217-96 | Spacer | 1 | |
| 69 | R3272-11 | R01-151-0010, R01-151-0040, R28-18-D, R28-28-D, R3211-72 | Pin - Cotter | 1 | |
| 70 | R33115-025 | R48-7780 | Bolt - Hex HD M10-1.5 x 25 | 2 | |
| 71 | R105-5740 | | Hook - Lift | 1 | |
| 72 | R110-3951 | R106-9078 | Spring - Torsion - RH | 1 | |
| 73 | R107-2599G | | Lift Arm Assy - RH - Green | 1 | |

All original equipment manufacturers names and part numbers are used for identification purposes only, and we are in no way implying that our products are original equipment parts. Prices subject to change without notice.