

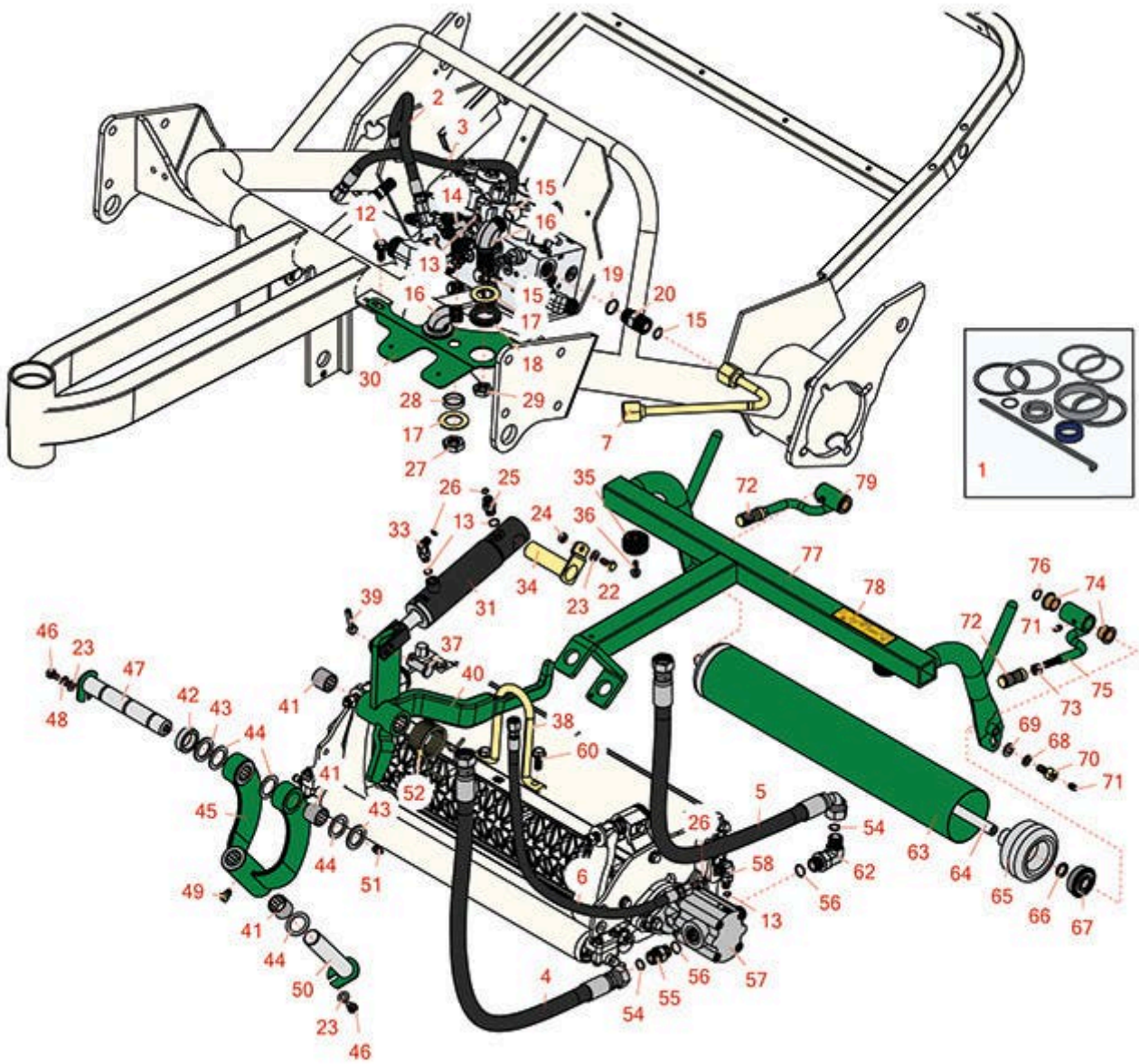


# Replaces R&R Products Greens Max

## 2200LP Parts

Traction Unit

Center Pull Frame



All original equipment manufacturers names and part numbers are used for identification purposes only, and we are in no way implying that our products are original equipment parts. Prices subject to change without notice.



# Replaces R&R Products Greens Max

## 2200LP Parts

Traction Unit

Center Pull Frame



Item No	R&R Part No.	OEM Part No.	Description	Qty Req	Order Quantity
---------	--------------	--------------	-------------	---------	----------------

### Overhaul Kits and Service Tools

1	R107-2563		Seal Kit	1	
---	-----------	--	----------	---	--

### Hoses

2	R108-6510		Hydraulic Hose Assy	1	
3	R112-9185		Hydraulic Hose Assy	1	
4	R105-5400		Hydraulic Hose Assy	1	
5	R105-5402		Hydraulic Hose Assy	1	
6	R105-5401		Hydraulic Hose Assy	1	
7	R105-5482		Tube-Hyd, Manifold	1	

### Other Parts Available

12	R32144-14	R32104-32, R32104-49	Bolt - Hex Washer 5/16-18 x 5/8	1	
13	R237-22	R107-8844, R232-72, R237-78	O-Ring	6	
14	R105-8281		Tee-Bulkhead	1	
15	R237-65		O-Ring	5	
16	R340-72	R96-0865	Fitting-Bulkhead,	2	
17	R69-9010		Washer	4	
18	R240-3		Grommet- Rubber	2	
19	R237-80	R327-80	O-Ring	1	
20	R340-7		Adapter	1	

All original equipment manufacturers names and part numbers are used for identification purposes only, and we are in no way implying that our products are original equipment parts. Prices subject to change without notice.



# Replaces R&R Products Greens Max

## 2200LP Parts

*Traction Unit*

*Center Pull Frame*



Item No	R&R Part No.	OEM Part No.	Description	Qty Req	Order Quantity
22	<b>R322-3</b>	R01-150-1420, R01-178-0506, R09109, R20-24-AD, R20-24-AGD, R48-9270, R513339, R908017P, RB311201	Bolt - Hex HD 5/16-18 x 3/4	1	
23	<b>R453009</b>	3256-3, R01-166-0400, R24-10-BD, R24-9-AD, R24H1136, R32-9650, R3256-2, R3256-23, R3256-67, R3290-217, R3556-3, R4-2390, R452006, R7-0152	Washer - Flat 5/16 SAE	3	
24	<b>R3296-29</b>	3296-29, R1-804256, R915662P	Locknut - 5/16-18 ESNA	1	
25	<b>R340-92</b>		Hydraulic Fitting - Striaght	1	
26	<b>R237-21</b>		O-Ring	3	
27	<b>R340-74</b>		Locknut - Bulkhead	2	
28	<b>R69-9000</b>	R125-1984	Spacer	2	
29	<b>R340-70</b>		Nut - Lock	1	
30	<b>R105-8253G</b>		Bracket - Bulkhead - Green	1	
31	<b>R106-9064</b>		Hydraulic Cylinder - Center	1	
33	<b>R340-103</b>	R340-137	Hydraulic Fitting - 45 Deg	1	

All original equipment manufacturers names and part numbers are used for identification purposes only, and we are in no way implying that our products are original equipment parts. Prices subject to change without notice.



# Replaces R&R Products Greens Max

## 2200LP Parts

*Traction Unit*

*Center Pull Frame*



Item No	R&R Part No.	OEM Part No.	Description	Qty Req	Order Quantity
34	<b>R68-5560</b>		Pivot Pin - Cylinder	1	
35	<b>R94-4548</b>		Rubber Bumper	2	
36	<b>R49-2040</b>	R32104-42, R32104-95, R32144-44	Bolt - Hex Washer 1/4-20 x 3/4	2	
37	<b>R283-8</b>	R17-3670, R7-2035	Clevis Pin - 1/2 x 1-27/64	1	
38	<b>R105-5740</b>		Hook - Lift	1	
39	<b>R3272-11</b>	R01-151-0010, R01-151-0040, R28-18-D, R28-28-D, R3211-72	Pin - Cotter	1	
40	<b>R110-3955G</b>		Lift Arm Assy - Center - Green	1	
41	<b>R3-0348</b>	R324124, R342124	Bushing	6	
42	<b>R93-2384</b>		Spacer - Carrier Frame	1	
43	<b>R5-1226</b>		Spacer	2	
44	<b>R10-8110</b>		Washer - Pivot Pin	6	
45	<b>R10-7820G</b>		Pivot Hinge Assy - Green	1	
46	<b>R322-1</b>	R01-178-0504, R20-22-AD, R20-22-AGD, R513337, RB310801	Bolt - Hex HD 5/16-18 x 1/2	2	
47	<b>R114-4685</b>		Pin - Hinge 6-5/8 Long	1	

All original equipment manufacturers names and part numbers are used for identification purposes only, and we are in no way implying that our products are original equipment parts. Prices subject to change without notice.



# Replaces R&R Products Greens Max

## 2200LP Parts

*Traction Unit*

*Center Pull Frame*



Item No	R&R Part No.	OEM Part No.	Description	Qty Req	Order Quantity
48	<b>R3253-4</b>	R01-166-0110, R01-166-0510, R09053, R23-10-GD, R24-7170, R30-8520, R42-9850, R48-9350, R48-9360, R48-9570, R68-9420, R99-7577	Washer - Lock 5/16 Zinc	1	
49	<b>R302-60</b>		Zerk - Grease 90 Deg.	1	
50	<b>R10-6090</b>		Pin - Pivot 4 7/8 Long	1	
51	<b>R471219</b>	471219, R30-8360, R302-2, R302-24, R302-31, R471231, RJD7759, RJD7798	Zerk - Grease	2	
52	<b>R110-3953</b>	R106-9080	Spring - Torsion - Center	1	
54	<b>R237-30</b>	R23-6320	O-Ring - Seal	2	
55	<b>R340-4</b>		Hydraulic Fitting - Male Connector	1	
56	<b>R237-79</b>		O-Ring	2	
57	<b>R120-2072</b>	R100-6426, R108-6487, R112-9200, R93-1375	Hydraulic Gear Motor	1	
58	<b>R340-132</b>		Hydraulic Fitting - 90 Deg	1	
60	<b>R33115-025</b>	R48-7780	Bolt - Hex HD M10-1.5 x 25	2	
62	<b>R340-98</b>		Hydraulic Fitting	1	

All original equipment manufacturers names and part numbers are used for identification purposes only, and we are in no way implying that our products are original equipment parts. Prices subject to change without notice.



# Replaces R&R Products Greens Max

## 2200LP Parts

*Traction Unit*

*Center Pull Frame*



Item No	R&R Part No.	OEM Part No.	Description	Qty Req	Order Quantity
63	<b>R99-4277G</b>		Basket Roller - Smooth - Green	1	
64	<b>R21-8470</b>		Shaft - Roller	1	
65	<b>R25-5551</b>		Roller End - Alum Basket Roller	2	
66	<b>R253-83</b>		Seal - Oil 7/8 OD x 5/8 ID	2	
67	<b>R251-141</b>		Bearing - Roller	2	
68	<b>R3253-21</b>	3253-21, R215-51, R30-8470, R7-1912, RMT3949	Washer - Lock 3/8	2	
69	<b>R453011</b>	3256-24, 453011, R01-166-0100, R01-166-0120, R01-166-0270, R01-166-0500, R01-166-0600, R01-166-0620, R132-4593, R237-12, R24-10-AD, R24-11-AD, R24-11-BD, R24-12-AD, R24-12-BD, R30-9310, R32-8190, R3256-24, R3256-3, R3256-36, R3256-4, R47-9950	Washer - Flat 3/8 SAE Y/Zinc	2	
70	<b>R11-0160</b>		Screw - Roller Shaft	2	

All original equipment manufacturers names and part numbers are used for identification purposes only, and we are in no way implying that our products are original equipment parts. Prices subject to change without notice.



# Replaces R&R Products Greens Max

## 2200LP Parts

*Traction Unit*

*Center Pull Frame*



Item No	R&R Part No.	OEM Part No.	Description	Qty Req	Order Quantity
71	<b>R302-5</b>	R173-0, R21-6010, R255825, R302-37, R302-47, R302-57, R302-58, R302-6, R31-0300, R32-9660, R471214, R471223, R471226, R60-0800, R62-3880, R92-4181, RJD7797, RJD7842, RJD7844, RM0004	Fitting - Grease	4	
72	<b>R99-1460</b>	R2411-28, R2411-29, R2411-30, R2411-6, R2411-8, R8-7710, R94-2959	Receiver - Ball Joint	2	
73	<b>R3220-3</b>	R01-191-0624, R3290-149	Nut - Jam Ball Joint	2	
74	<b>R3-1506</b>	R256-287, R3709088, R4-4550, R75-2160, R9329	Bushing - Bronze	4	
75	<b>R92-0585G</b>		Arm - Pull RH - Green	1	
76	<b>R3290-317</b>		Washer - Wave	2	
77	<b>R92-9177G</b>		Frame - Pull RH - Green	1	
78	<b>R93-6688</b>		Decal - Warning	1	

All original equipment manufacturers names and part numbers are used for identification purposes only, and we are in no way implying that our products are original equipment parts. Prices subject to change without notice.



# Replaces R&R Products Greens Max

## 2200LP Parts

*Traction Unit*

*Center Pull Frame*



Item No	R&R Part No.	OEM Part No.	Description	Qty Req	Order Quantity
79	<b>R92-0586G</b>		Arm - Pull LH - Green	1	

All original equipment manufacturers names and part numbers are used for identification purposes only, and we are in no way implying that our products are original equipment parts. Prices subject to change without notice.