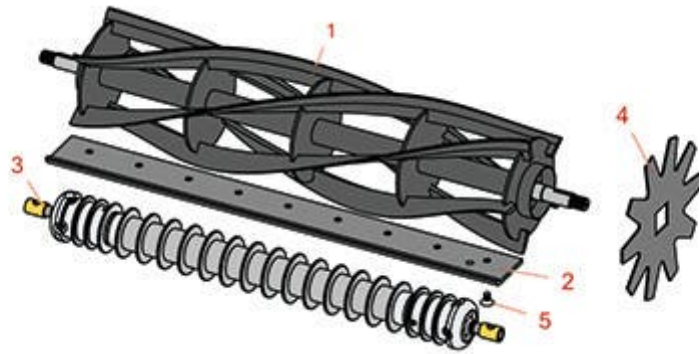




Replaces Kesmac Reel Mower Parts

Cutting Unit
Reel & Bedknife



All original equipment manufacturers names and part numbers are used for identification purposes only, and we are in no way implying that our products are original equipment parts. Prices subject to change without notice.



Replaces Kesmac Reel Mower Parts

Cutting Unit
Reel & Bedknife



Item No	R&R Part No.	OEM Part No.	Description	Qty Req	Order Quantity
---------	--------------	--------------	-------------	---------	----------------

R&R Reels, Lifetime Guaranteed

1	RC400001	C400001	Reel - 5 Blade	1	
---	-----------------	---------	----------------	---	--

Detail Description: R&R Reel blades are expertly crafted from premium high carbon-boron alloy steel, heat-treated to perfectly complement both R&R and OEM bedknives. Each reel undergoes precision cylindrical grinding on bearing surfaces, followed by relief grinding for optimal performance. Advanced computer balancing ensures extended reel and bearing life. Backed by our lifetime guarantee against defects in materials and craftsmanship under normal use, R&R Reels deliver unmatched durability and cutting precision you can trust.:

1	RC400002	C400002	Reel - 6 Blade	1	
---	-----------------	---------	----------------	---	--

Detail Description: R&R Reel blades are expertly crafted from premium high carbon-boron alloy steel, heat-treated to perfectly complement both R&R and OEM bedknives. Each reel undergoes precision cylindrical grinding on bearing surfaces, followed by relief grinding for optimal performance. Advanced computer balancing ensures extended reel and bearing life. Backed by our lifetime guarantee against defects in materials and craftsmanship under normal use, R&R Reels deliver unmatched durability and cutting precision you can trust.:

1	RC400004	C400004	Reel - 7 Blade	1	
---	-----------------	---------	----------------	---	--

Detail Description: R&R Reel blades are expertly crafted from premium high carbon-boron alloy steel, heat-treated to perfectly complement both R&R and OEM bedknives. Each reel undergoes precision cylindrical grinding on bearing surfaces, followed by relief grinding for optimal performance. Advanced computer balancing ensures extended reel and bearing life. Backed by our lifetime guarantee against defects in materials and craftsmanship under normal use, R&R Reels deliver unmatched durability and cutting precision you can trust.:

1	RC400005	C400005	Reel - 8 Blade	1	
---	-----------------	---------	----------------	---	--

Detail Description: R&R Reel blades are expertly crafted from premium high carbon-boron alloy steel, heat-treated to perfectly complement both R&R and OEM bedknives. Each reel undergoes precision cylindrical grinding on bearing surfaces, followed by relief grinding for optimal performance. Advanced computer balancing ensures extended reel and bearing life. Backed by our lifetime guarantee against defects in materials and craftsmanship under normal use, R&R Reels deliver unmatched durability and cutting precision you can trust.:

1	RC400008	C400008	Reel - 9 Blade	1	
---	-----------------	---------	----------------	---	--

Detail Description: R&R Reel blades are expertly crafted from premium high carbon-boron alloy steel, heat-treated to perfectly complement both R&R and OEM bedknives. Each reel undergoes precision cylindrical grinding on bearing surfaces, followed by relief grinding for optimal performance. Advanced computer balancing ensures extended reel and bearing life. Backed by our lifetime guarantee against defects in materials and craftsmanship under normal use, R&R Reels deliver unmatched durability and cutting precision you can trust.:

All original equipment manufacturers names and part numbers are used for identification purposes only, and we are in no way implying that our products are original equipment parts. Prices subject to change without notice.



Replaces Kesmac Reel Mower Parts

Cutting Unit
Reel & Bedknife



Item No	R&R Part No.	OEM Part No.	Description	Qty Req	Order Quantity
---------	--------------	--------------	-------------	---------	----------------

Other Parts Available

2	RC200001	C200001	Bedknife	1	
<p><i>Detail Description: R&R Bedknives are manufactured from high carbon-boron alloy steel and then hardened to RC46-49 to match the temper of our reel blades and original equipment reels. Bedknives are surface ground on the top and front edge and straightened three times before being packaged with oil for rust prevention. All R&R Bedknives now have an increased front edge grind for added life. All R&R Bedknives are guaranteed against defects in material and workmanship under normal use for the life of the part.:</i></p>					
3	RC50065	C500065	Roller - Grooved Repairable Steel	1	
4	R102133		Verti-Cut Blade - 10 Dia x .104	0	
5	RF120605	F120605	Screw - Bedknife 3/8-16 x 5/8	9	

All original equipment manufacturers names and part numbers are used for identification purposes only, and we are in no way implying that our products are original equipment parts. Prices subject to change without notice.