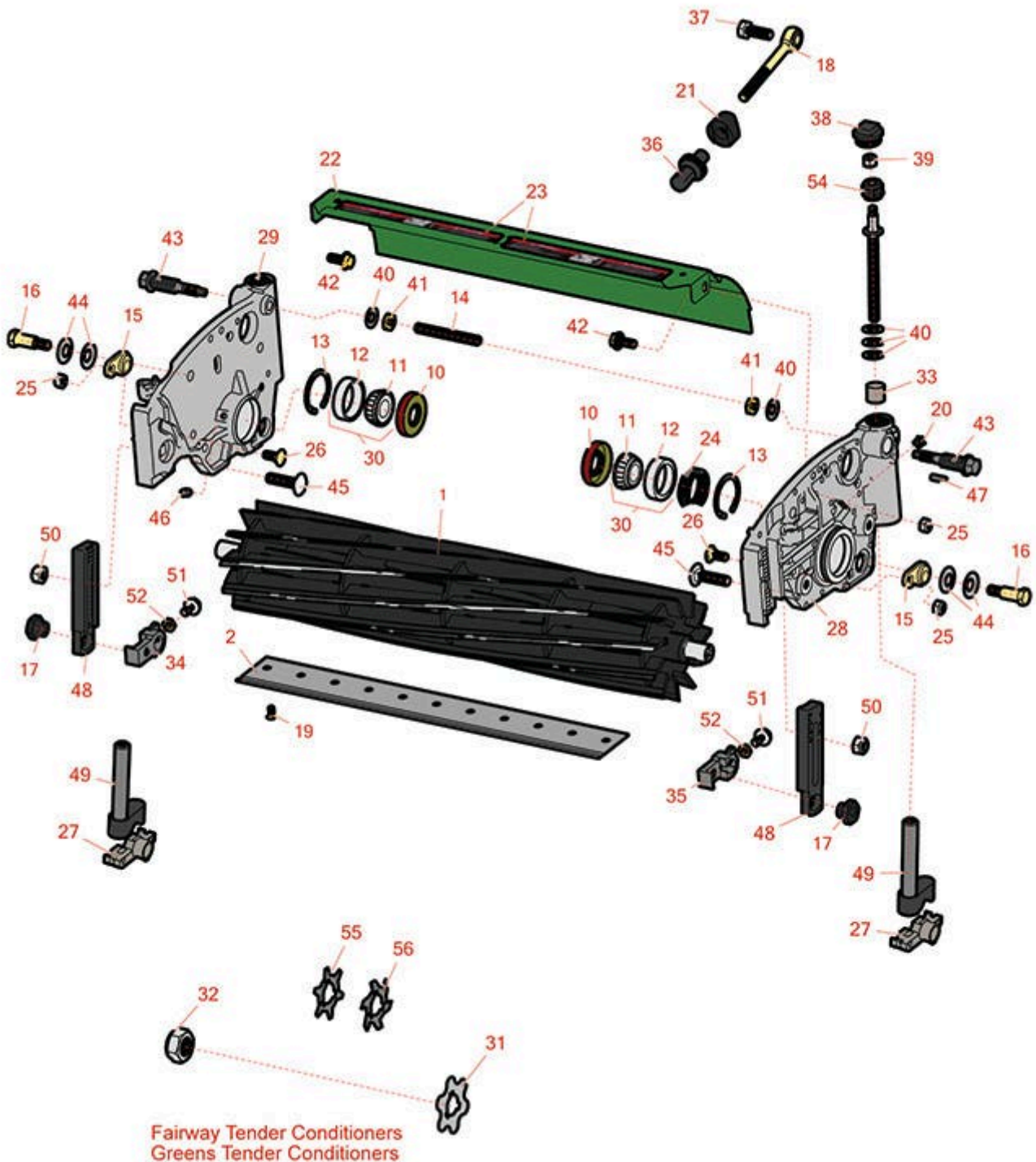




Replaces John Deere 8000A E-Cut Hybrid Reel Mower Parts

Cutting Unit
Reel & Bedknife



All original equipment manufacturers names and part numbers are used for identification purposes only, and we are in no way implying that our products are original equipment parts. Prices subject to change without notice.



Replaces John Deere 8000A E-Cut Hybrid Reel Mower Parts

Cutting Unit
Reel & Bedknife



Item No	R&R Part No.	OEM Part No.	Description	Qty Req	Order Quantity
---------	--------------	--------------	-------------	---------	----------------

R&R Reels, Lifetime Guaranteed

1	RTCA19348	TCA19348	Reel - 7 Blade	1	
---	------------------	----------	----------------	---	--

Detail Description: R&R Reel blades are expertly crafted from premium high carbon-boron alloy steel, heat-treated to perfectly complement both R&R and OEM bedknives. Each reel undergoes precision cylindrical grinding on bearing surfaces, followed by relief grinding for optimal performance. Advanced computer balancing ensures extended reel and bearing life. Backed by our lifetime guarantee against defects in materials and craftsmanship under normal use, R&R Reels deliver unmatched durability and cutting precision you can trust.:

1	RTCA19349	TCA19349	Reel - 11 Blade	1	
---	------------------	----------	-----------------	---	--

Detail Description: R&R Reel blades are expertly crafted from premium high carbon-boron alloy steel, heat-treated to perfectly complement both R&R and OEM bedknives. Each reel undergoes precision cylindrical grinding on bearing surfaces, followed by relief grinding for optimal performance. Advanced computer balancing ensures extended reel and bearing life. Backed by our lifetime guarantee against defects in materials and craftsmanship under normal use, R&R Reels deliver unmatched durability and cutting precision you can trust.:

1	RTCA23622	TCA23622	Reel - 14 Blade	1	
---	------------------	----------	-----------------	---	--

Detail Description: R&R Reel blades are expertly crafted from premium high carbon-boron alloy steel, heat-treated to perfectly complement both R&R and OEM bedknives. Each reel undergoes precision cylindrical grinding on bearing surfaces, followed by relief grinding for optimal performance. Advanced computer balancing ensures extended reel and bearing life. Backed by our lifetime guarantee against defects in materials and craftsmanship under normal use, R&R Reels deliver unmatched durability and cutting precision you can trust.:

Bedknives

2	RMT4846	MT4846, MT4906, UC18877	Bedknife - Tournament	1	
---	----------------	-------------------------------	-----------------------	---	--

Detail Description: R&R Bedknives are manufactured from high carbon-boron alloy steel and then hardened to RC46-49 to match the temper of our reel blades and original equipment reels. Bedknives are surface ground on the top and front edge and straightened three times before being packaged with oil for rust prevention. All R&R Bedknives now have an increased front edge grind for added life. All R&R Bedknives are guaranteed against defects in material and workmanship under normal use for the life of the part.:

2	RMT7350	MT6944, MT7350	Bedknife - 22in Low Cut Min HOC .079	0	
---	----------------	-------------------	---	---	--

All original equipment manufacturers names and part numbers are used for identification purposes only, and we are in no way implying that our products are original equipment parts. Prices subject to change without notice.



Replaces John Deere 8000A E-Cut Hybrid Reel Mower Parts

Cutting Unit
Reel & Bedknife



Item No	R&R Part No.	OEM Part No.	Description	Qty Req	Order Quantity
---------	--------------	--------------	-------------	---------	----------------

Detail Description: R&R Bedknives are manufactured from high carbon-boron alloy steel and then hardened to RC46-49 to match the temper of our reel blades and original equipment reels. Bedknives are surface ground on the top and front edge and straightened three times before being packaged with oil for rust prevention. All R&R Bedknives now have an increased front edge grind for added life. All R&R Bedknives are guaranteed against defects in material and workmanship under normal use for the life of the part.:

2	RMT6944	MT6944, MT7350, UC19156	Bedknife - Low Cut Min HOC .079	0	
---	----------------	-------------------------------	------------------------------------	---	--

Detail Description: R&R Bedknives are manufactured from high carbon-boron alloy steel and then hardened to RC46-49 to match the temper of our reel blades and original equipment reels. Bedknives are surface ground on the top and front edge and straightened three times before being packaged with oil for rust prevention. All R&R Bedknives now have an increased front edge grind for added life. All R&R Bedknives are guaranteed against defects in material and workmanship under normal use for the life of the part.:

Other Parts Available

10	RET14566	ET14566	Seal - Reel	2	
11	R254-78	JD8188	Tapered Bearing Cone	2	
12	R254-79	JD8226	Cup - Bearing	2	

Detail Description: Use R254-79M installation mandrel to properly install race.:

13	R40M7226	40M1862, 40M7226	Ring - Retaining	2	
14	RTC25398	TCU25398	Compression Spring	1	
15	RTC24334	TCU24334	Retainer	2	
16	RMT3016	MT3016	Bolt - Bed Bar	2	
17	RTC28635	TCU24555, TCU28635	Eccentric	2	
18	RTC25223	TCU25223, TCU30798	Spherical Rod End	2	
19	R101278	21M7194	Screw - Bedknife	11	

All original equipment manufacturers names and part numbers are used for identification purposes only, and we are in no way implying that our products are original equipment parts. Prices subject to change without notice.



Replaces John Deere 8000A E-Cut Hybrid Reel Mower Parts

Cutting Unit
Reel & Bedknife



Item No	R&R Part No.	OEM Part No.	Description	Qty Req	Order Quantity
20	R170714	E14814	Fitting - Pressure Relief	2	
21	RTC25394	TCU25394, TCU27453	Base	2	
22	RTCA18643	TCA18643	Shield - (w/Labels)	1	
23	RMT6517	MT6517	Label - Warning	2	
24	RTC23880	TCU23880, TCU28964	Compression Spring - Reel Bearing	1	
25	RH137328	H137328	Locknut	2	
26	R03M7184	03M7184	Bolt - Carriage M8	2	
27	RTC28987	TCU25228, TCU28987	Half Clamp - Roller Bkt	2	
28	RTC35637	TCU24427, TCU35637	Panel - LH	1	
29	RTC35638	TCU24426, TCU35638	Panel - RH	1	
30	R500534		Bearing - with Cup	2	
<i>Detail Description: Kit includes: 1 ea R254-78- Bearing Cone & R254-79 Bearing Cone:</i>					
31	RMT2624	MT2624	Knife - Greens Conditioner	30	
32	RN198341	N198341	Nut - Nyloc 7/8-14	1	
33	RMT74	MT74	Bushing - Roller Bkt	2	
34	RUC16109	TCU24461, UC16109	Bracket - RH	1	
35	RUC18211	TCU24461, UC18211	Bracket - LH	1	
36	RUC16137	TCU24955, UC16137	Adjuster	2	

All original equipment manufacturers names and part numbers are used for identification purposes only, and we are in no way implying that our products are original equipment parts. Prices subject to change without notice.



Replaces John Deere 8000A E-Cut Hybrid Reel Mower Parts

Cutting Unit
Reel & Bedknife



Item No	R&R Part No.	OEM Part No.	Description	Qty Req	Order Quantity
37	R19M7168	19M7168	Bolt - M10-1.5 x 30 mm Hex Head Class 8.8	2	
38	RUC16102	TCU24949, UC16102	Cap	2	
39	RM148268	M148268	Lock Nut	2	
40	RET16679	ET16679	Washer - Spring	8	
41	R14M7152	14M7152	Nut - 10mm x 1.5 Jam	2	
42	R19M7866	19M7866	Bolt - Flanged Hex M8-1.25 x 20	2	
43	RTCUC26458	TCU26458	Worm Gear	2	
44	RN168012	N168012	Washer - Spring	4	
45	R03M7194	03M7194	Bolt	2	
46	R302-5	JD7797, JD7842, JD7844	Fitting - Grease	4	
47	RR30587	30587, R30587	Pin - Dowell 1/4 Dia. x .75	4	
48	RUC16108	TCU24460, UC16108	Bracket	2	
49	RAUC13512	AUC13512, TCA18706	Adjuster	2	
50	R14M7517	14M7517	Locknut - 10mm x 1.5 ESNA	6	
51	R33114-016	19M7162	Bolt - Hx HD 8mm x 1.25 x 15	2	
52	R14M7151	14M7151	Nut - Jam Roller Adj	2	
54	RTCUC40491	TCU24683, TCU40491	Worm Gear	2	
55	RET14707	ET14707	Verti-Cut Blade - .025 x 2.375	57	

All original equipment manufacturers names and part numbers are used for identification purposes only, and we are in no way implying that our products are original equipment parts. Prices subject to change without notice.



Replaces John Deere 8000A E-Cut Hybrid Reel Mower Parts

*Cutting Unit
Reel & Bedknife*



Item No	R&R Part No.	OEM Part No.	Description	Qty Req	Order Quantity
56	RET14707C		Verti-Cut Blade - .025 x 2.375 Carbide Tipped		57

All original equipment manufacturers names and part numbers are used for identification purposes only, and we are in no way implying that our products are original equipment parts. Prices subject to change without notice.