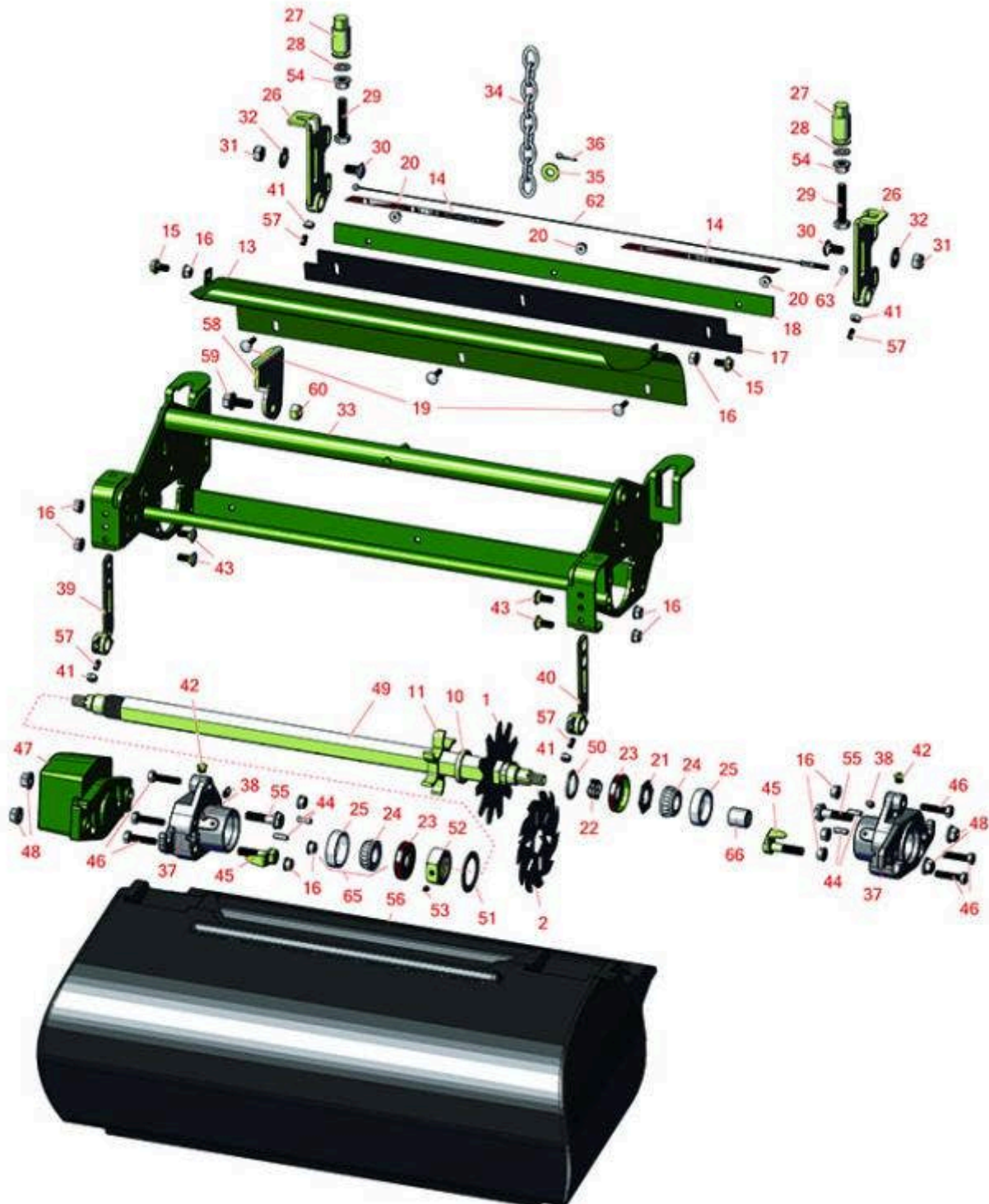




# Replaces John Deere 2500B Riding Greens Mower Parts

Verti-Cut Unit - Serial up to 030000  
Verti-Cut Reel & Frame



All original equipment manufacturers names and part numbers are used for identification purposes only, and we are in no way implying that our products are original equipment parts. Prices subject to change without notice.



# Replaces John Deere 2500B Riding Greens Mower Parts

Verti-Cut Unit - Serial up to 030000  
Verti-Cut Reel & Frame



Item No	R&R Part No.	OEM Part No.	Description	Qty Req	Order Quantity
---------	--------------	--------------	-------------	---------	----------------

## Verti-Cut Blades

1	<b>RAMT2703</b>	AMT2703, ET17719	Blade - Vertical Mower	27	
2	<b>R150209C</b>	TCU26776	Verti-Cut Blade - Carbide Tipped 2mm	27	
2	<b>R150109C</b>		Verti-Cut Blade - Carbide Tipped 1.2mm	27	

## Other Parts Available

10	<b>RET17713</b>	ET17713	Spacer - Vertical Mower Shaft	80	
11	<b>R150230</b>		Spacer - 1/2 Ventilated V-Cut	37	
13	<b>RAMT2608</b>	AMT2608	Shield - Verticut	1	
14	<b>RMT6517</b>	MT6517	Label - Warning	2	
15	<b>R19M7865</b>	19M7865	Bolt - Hex Washer M8 x 16	2	
16	<b>R14M7298</b>	14M7298	Nut - 8mm x 1.25 Flanged	10	
17	<b>RET17914</b>	ET17914	Rubber Isolator - Verticut	1	
18	<b>RAMT2704</b>	AMT2704, MT169	Strap - Verticut Shield	1	
19	<b>R03M7232</b>	03M7232	Bolt - Carriage M6-1.0 x 25	3	
20	<b>R14M7397</b>	14M7397, 14M7463	Locknut - 6mm x 1.0 ESNA Flanged	3	
21	<b>RET16704</b>	ET16704	Retainer	1	
22	<b>RET14592</b>	ET14592	Spring - Reel Bearing	1	
23	<b>RET14566</b>	ET14566	Seal - Reel	2	
24	<b>R254-78</b>	JD8188	Tapered Bearing Cone	2	
25	<b>R254-79</b>	JD8226	Cup - Bearing	2	

All original equipment manufacturers names and part numbers are used for identification purposes only, and we are in no way implying that our products are original equipment parts. Prices subject to change without notice.



# Replaces John Deere 2500B Riding Greens Mower Parts

Verti-Cut Unit - Serial up to 030000  
Verti-Cut Reel & Frame



Item No	R&R Part No.	OEM Part No.	Description	Qty Req	Order Quantity
<i>Tech Note: Use R254-79M installation mandrel to properly install race.:</i>					
26	<b>RAMT5112</b>	AMT5112	Bracket - Roller RH Rear	1	
26	<b>RAMT5113</b>	AMT5113	Bracket - Roller LH Rear	1	
27	<b>RMT6483</b>	MT6483	Nut - Adjusting Rear Roller	2	
28	<b>R453011</b>	24M7096	Washer - Flat 3/8 SAE Y/Zinc	2	
29	<b>R19M7383</b>	19M7383	Bolt - Rear Roller Adj 55 mm Long	2	
30	<b>R03M7307</b>	03M7307	Bolt - Carriage M10	2	
31	<b>R14M7517</b>	14M7517	Locknut - 10mm x 1.5 ESNA	2	
32	<b>R24H1307</b>	24H1307	Washer - Flat 13/32 x 1 x 1/16	4	
33	<b>RAMT2574</b>	AMT2574	Frame - Verticut	1	
34	<b>RAMT1479</b>	AMT1479	Chain - Link	1	
35	<b>R24H1682</b>	24H1682	Washer - 13/32 x 7/8 x 1/8	1	
36	<b>R11M7012</b>	11M7012	Pin - Cotter 1/8 x 5/8	2	
37	<b>RMT7294</b>	MT2647, MT7294	Housing - Reel	2	
38	<b>R302-5</b>	JD7797, JD7842, JD7844	Fitting - Grease	2	
39	<b>RMT3015</b>	MT3015	Bracket - RH - Extended	2	
40	<b>RMT3072</b>	MT3072	Bracket - LH - Extended	2	
41	<b>R3219-1</b>	14H860	Nut - 1/4-28	2	
42	<b>R170714</b>	E14814	Fitting - Pressure Relief	2	
43	<b>R03M7184</b>	03M7184	Bolt - Carriage M8	4	

All original equipment manufacturers names and part numbers are used for identification purposes only, and we are in no way implying that our products are original equipment parts. Prices subject to change without notice.



# Replaces John Deere 2500B Riding Greens Mower Parts

Verti-Cut Unit - Serial up to 030000  
Verti-Cut Reel & Frame



Item No	R&R Part No.	OEM Part No.	Description	Qty Req	Order Quantity
44	<b>RR30587</b>	30587, R30587	Pin - Dowell 1/4 Dia. x .75	4	
45	<b>RAMT2261</b>	AMT2261	Kit - Bolt w/Clip	2	
46	<b>R19M8008</b>	19M8008	Bolt - Hex HD M8-1.25 x 35	6	
47	<b>RMT6476</b>	MT6476	Counterweight	1	
48	<b>RH135891</b>	H135891	Locknut - 10mm x 1.5 Flanged 10.9	4	
<i>Tech Note: High Strength:</i>					
49	<b>RET17715</b>	ET17715	Shaft - Vertical Mower	1	
50	<b>RC17964</b>	C17964	Ring - Retaining HD	1	
51	<b>R24H1513</b>	24H1513	Washer	4	
52	<b>RET17053</b>	ET17053	Nut - 1-1/8-7 Jam Incl Set Screw	1	
53	<b>R3245-35</b>	22H841	Screw - Set 1/4-28 x 1/4	1	
54	<b>R14M7296</b>	14M7296	Nut - 10mm x 1.5 Flanged	2	
55	<b>R19M7804</b>	19M7804	Bolt - Flanged Hex M10-1.5 x 40	2	
56	<b>RMT6671</b>	MT6671	Grass Basket	1	
57	<b>R22H1004</b>	19H3003	Screw - Set 1/4-28 x 1/2	2	
58	<b>RMT6491</b>	MT6491	Bracket - Verticut Frame	1	
59	<b>R19M7785</b>	19M7785	Bolt - Hex Washer M10-1.5 x 25	1	
60	<b>R14M7400</b>	14M7400	Locknut - 10mm	1	
62	<b>RAET10139</b>	AET10139	Cable - Roller Scraper	1	
63	<b>RU45916</b>	14M7298, U45916	Locknut - 10-24 ESNA	2	
65	<b>R500534</b>		Bearing - with Cup	2	

All original equipment manufacturers names and part numbers are used for identification purposes only, and we are in no way implying that our products are original equipment parts. Prices subject to change without notice.



# Replaces John Deere 2500B Riding Greens Mower Parts

*Verti-Cut Unit - Serial up to 030000*

*Verti-Cut Reel & Frame*



Item No	R&R Part No.	OEM Part No.	Description	Qty Req	Order Quantity
66	<b>RAET11038</b>	AET11038, AET11039, AT11038	Coupler - V-Cut 8 Tooth	1	

All original equipment manufacturers names and part numbers are used for identification purposes only, and we are in no way implying that our products are original equipment parts. Prices subject to change without notice.