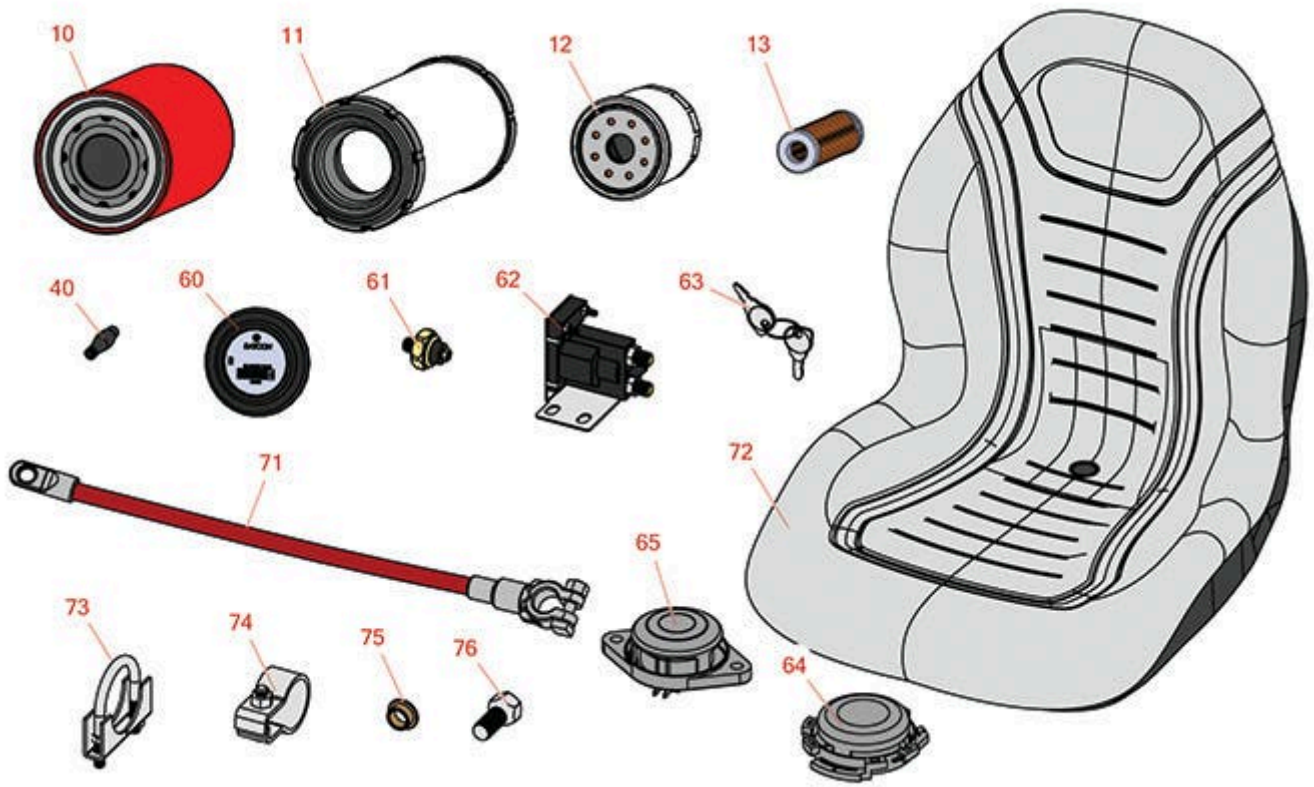




Replaces Jacobsen Tri-King 1900D Parts

Traction Unit
Traction Unit



All original equipment manufacturers names and part numbers are used for identification purposes only, and we are in no way implying that our products are original equipment parts. Prices subject to change without notice.



Replaces Jacobsen Tri-King 1900D Parts

Traction Unit

Traction Unit



Item No	R&R Part No.	OEM Part No.	Description	Qty Req	Order Quantity
Filters					
10	R86-3010	108046, 281370, 522972, 549587, 549597, 925023	Baldwin Hydraulic Oil Filter	1	
11	R93-2195	0840352, 5000913	Baldwin Air Filter	1	
11	RRF10125		SilverGuard Air Filter	1	
12	RX1585332430	5002644	Kubota Filter - Oil	1	
12	RRF10635	5002644	SilverGuard Filter - Oil	1	
13	R550489	1523143560, 1523143563, 5001190, 550489	Baldwin Fuel Filter	1	
13	RRF10517	550489	SilverGuard Fuel Filter	1	
Tires					
40	R232-27	232-27, 360111	Stem - Valve w/ Cap	3	
Gauges and Controls					
60	R162723	162723, 358825	Meter - Hour	1	
61	RX1584139010	554018	Kubota Switch - Oil	1	
62	R131905	126070, 131905	Solenoid - Starter	1	
63	R343060	343060, 5000039	Ignition - Key Set/2	1	

All original equipment manufacturers names and part numbers are used for identification purposes only, and we are in no way implying that our products are original equipment parts. Prices subject to change without notice.



Replaces Jacobsen Tri-King 1900D Parts

Traction Unit

Traction Unit



Item No	R&R Part No.	OEM Part No.	Description	Qty Req	Order Quantity
64	R151541		Delta Seat Switch - Twist Mount 1 Pole Normally Open	1	
65	R92-6282	554390	Switch - Kill - Seat	1	
Other Parts Available					
71	R340712	340712	Cable - Battery Positive	1	
72	RMXB200GY	1001774, 66172	Milsco Seat XB200 - Grey	1	
<i>Tech Note: This seat will not accept seat belts:</i>					
73	R348856	348856	Clamp - Muffler - 1-1/2	1	
74	R364902	364902	Clamp - Torsion Spring 1-3/8	1	
75	R352936	352936	Bushing - Bronze	1	
76	R353914	353914	Bolt - Wheel	8	

All original equipment manufacturers names and part numbers are used for identification purposes only, and we are in no way implying that our products are original equipment parts. Prices subject to change without notice.