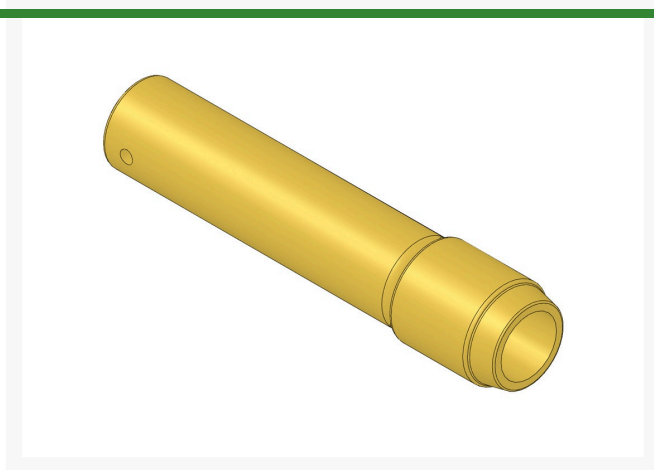




## Mandrel - Race Hardened

R254-79M



### Details

R&R Mandrels allow proper installation of races, seals, bushings and bearings. Tools are constructed of solid steel and precision machined for exact fit.

- Fits LM11910

### Specifications

Manufacturer

R&R Products

**Complete Turf Equipment Ltd.**

4331 Oil Heritage Road Petrolia, N0N 1R0  
519-882-2008

<https://completeturf.rrproducts.com/>