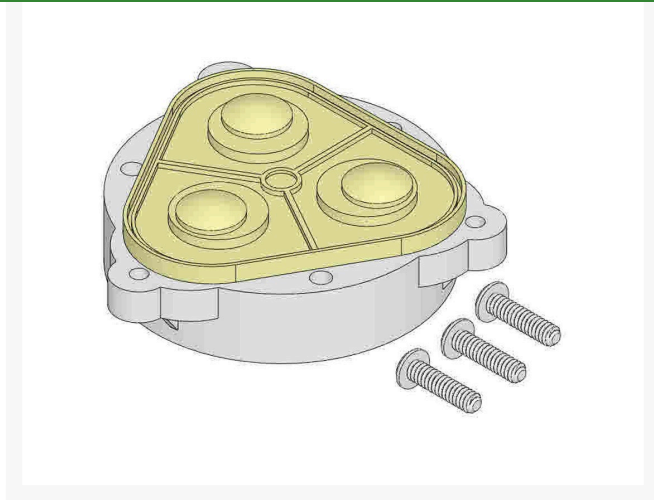




# Shurflo Diaphragm w/Drive Housing - New Style

RHY94-385-32



## Specifications

Manufacturer	Pentair Shurflo
Manufacturer's Model No	94-385-32

**Complete Turf Equipment Ltd.**

4331 Oil Heritage Road Petrolia, N0N 1R0  
519-882-2008

<https://completeturf.rrproducts.com/>