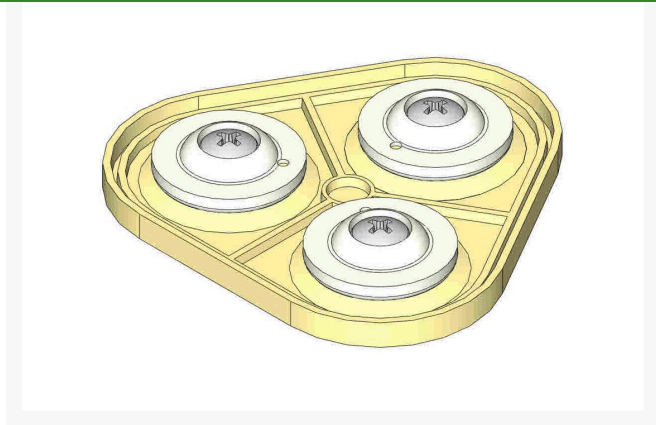




Shurflo Pressure Switch Kit - Viton

RHY94-375-05



Details

Standard pump 60 psi Demand Switch 1.8 GPM To Fit: RHY8000-543-236

Specifications

Manufacturer

Pentair Shurflo

Complete Turf Equipment Ltd.

4331 Oil Heritage Road Petrolia, N0N 1R0
519-882-2008

<https://completeturf.rrproducts.com/>