



# Shurflo Check Valve Kit - Viton

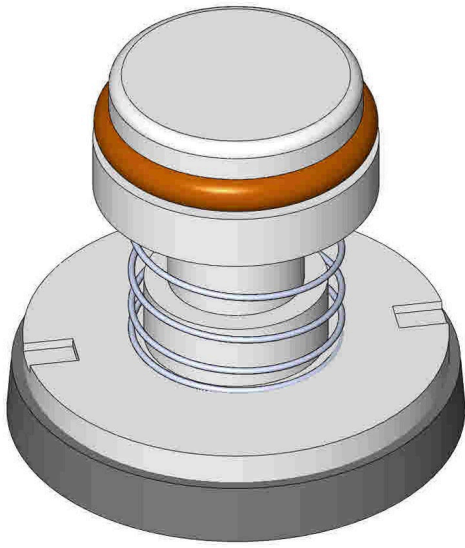
RHY94-374-05



## Specifications

Manufacturer

Pentair Shurflo



**Complete Turf Equipment Ltd.**

4331 Oil Heritage Road Petrolia, N0N 1R0  
519-882-2008

<https://completeturf.rrproducts.com/>