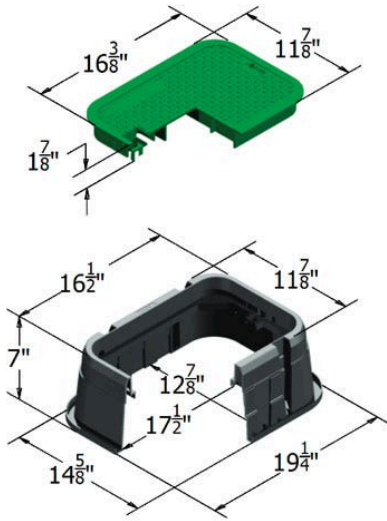




Carson Valve Box w/Lid 1015 - Blk-Grn

ICV

RGC10151234



Details

The Carson 1015-12 irrigation control valve box offers a variety of features, including lid seat collar for increased durability, and improved ribbing structure for maximum strength. That's the TrussT design. Other features include a heavy-duty seat collar, optional bolt down device for lock options, and a variety of cover and marking options. HDPE (high-density polyethylene) construction. UV inhibitors. 3" and 6" extensions available. Made in USA.

Replaces

R&R Products RGB1030,
RGC10151001

Specifications

Manufacturer Carson
Indicator ICV
Lid Color Green
Valve Box Depth 7 in

Replacement Parts

RGC10154072 Carson Lid Only 1015 -
Green ICV