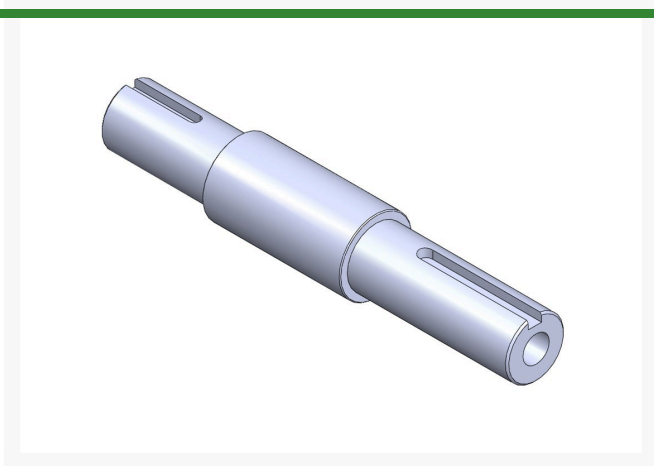




Shaft - Spindle

R076877



Replaces

Excel	076877
R&R Products	R712364

Specifications

Manufacturer	R&R Products
--------------	--------------

Fits Models

Excel Hustler
