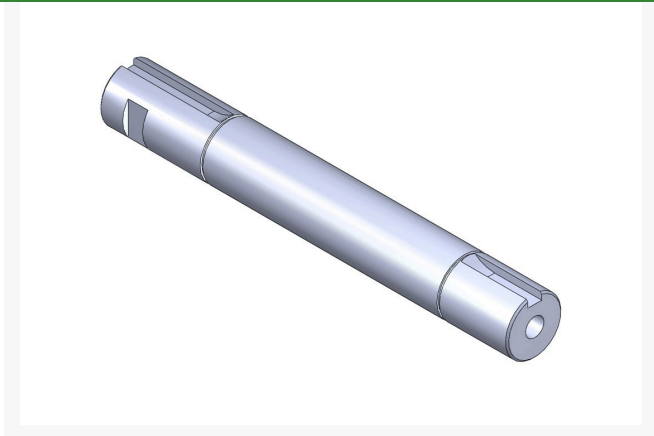




# Shaft - Spindle

R048223



**Replaces**  
Excel 048223

**Specifications**  
Manufacturer R&R Products

**Fits Models**  
Excel Hustler