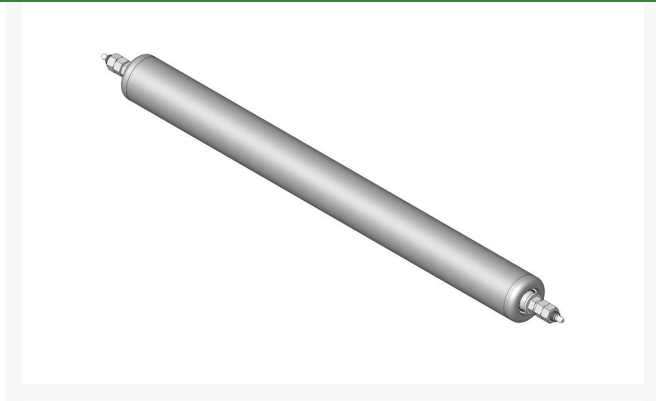




# Roller - Smooth Tubular Steel

RA900910



## Details

Constructed with a through shaft, this steel roller uses a through shaft and ball bearings.

## Replaces

Ransomes A900910

## Specifications

Manufacturer	R&R Products
Overhaul Kit No.	R170703
Roller Body Diameter	2.375 in
Weight (lbs)	9 lb

## Fits Models

Ransomes 180

## Replacement Parts

R170703	Overhaul Kit - Roller
R170702	Shaft - 2-3/8 Grooved Roller
R303558	Bearing - Roller
R170707	Spacer - 2 3/8 Roller
R170708	Seal - 2-3/8 Roller
R170716	Locknut - 1/2-13 Flanged
R443818	Nut - 1/2-13 Hex Jam Zinc
R302-5	Fitting - Grease

**Complete Turf Equipment Ltd.**

4331 Oil Heritage Road Petrolia, NON 1R0  
519-882-2008

<https://completeturf.rrproducts.com/>