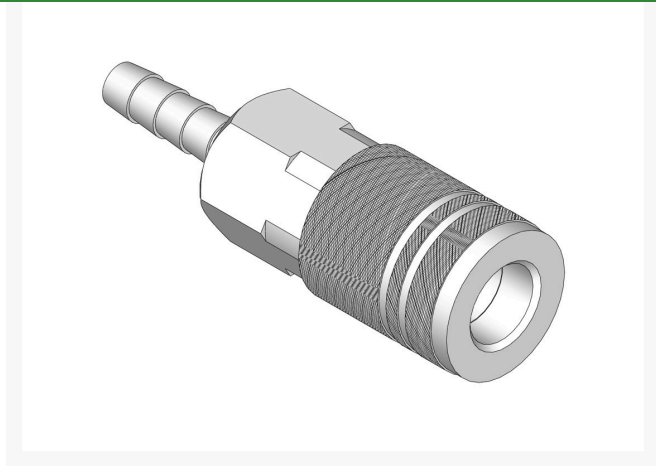




## Coupler - 1/4 Hose Barb R5531



### Details

Plated steel couplers with hardened steel balls & stainless steel springs or brass fittings that offer corrosion resistance, ductility at high temperatures, and low magnetic permeability. Maximum working pressure 300 PSI.

### Specifications

Manufacturer

R&R Products

**Complete Turf Equipment Ltd.**

4331 Oil Heritage Road Petrolia, N0N 1R0  
519-882-2008

<https://completeturf.rrproducts.com/>