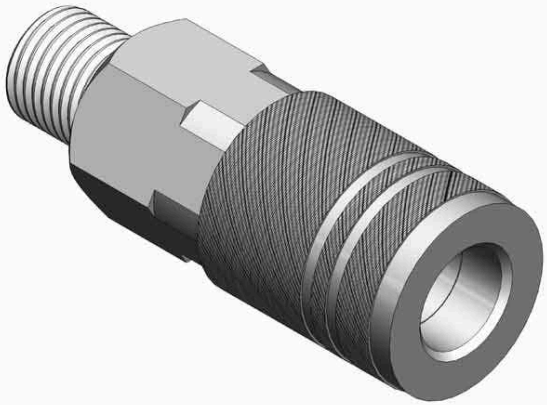




Coupler - 1/4 Nptm R5511



Details

Plated steel couplers with hardened steel balls & stainless steel springs or brass fittings that offer corrosion resistance, ductility at high temperatures, and low magnetic permeability. Maximum working pressure 300 PSI.

Specifications

Manufacturer

R&R Products

Complete Turf Equipment Ltd.

4331 Oil Heritage Road Petrolia, N0N 1R0
519-882-2008

<https://completeturf.rrproducts.com/>