

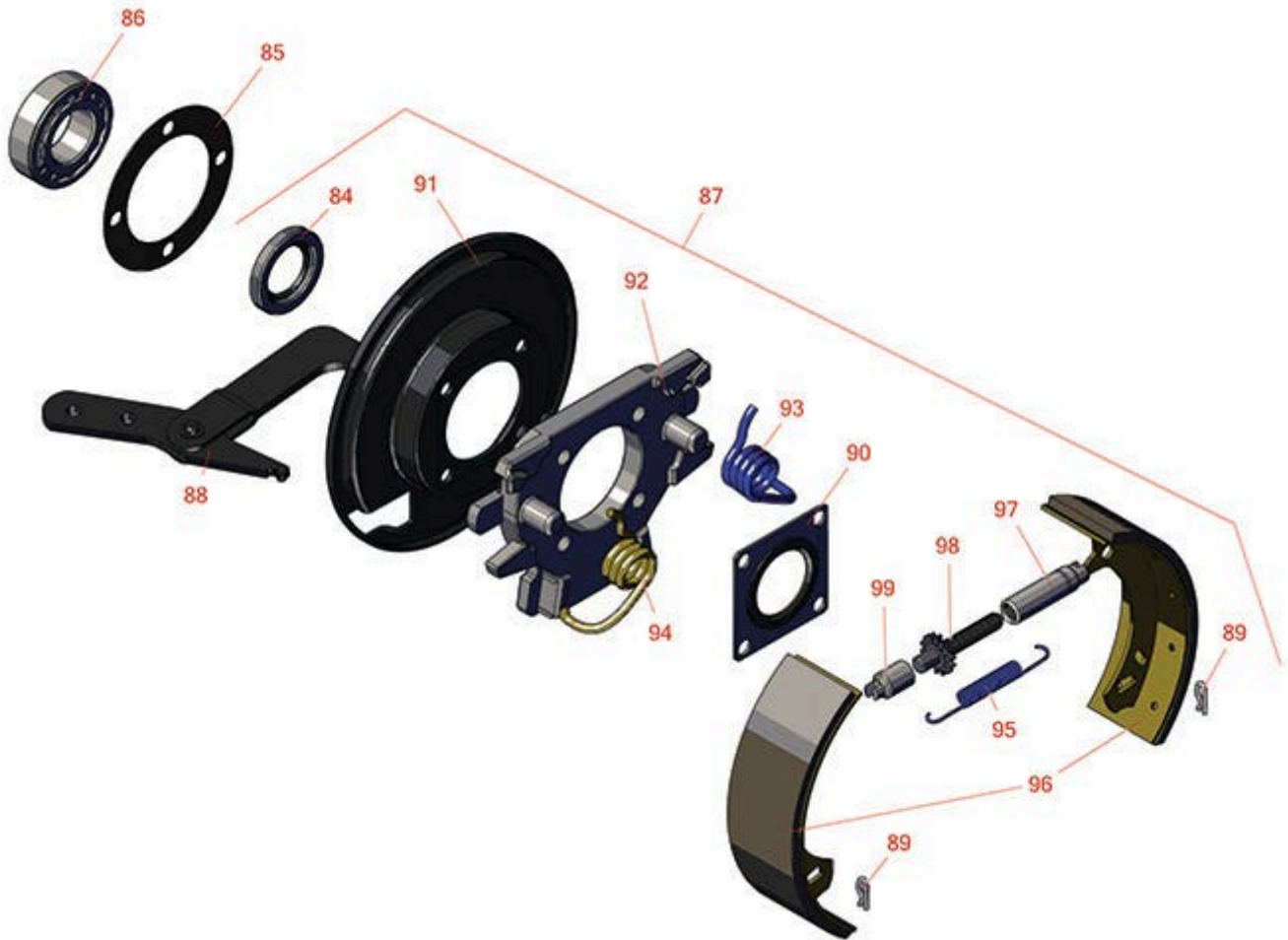


Replaces Toro Groundsmaster 220

Parts

Rotary Mower - Model 30620

Brakes



All original equipment manufacturers names and part numbers are used for identification purposes only, and we are in no way implying that our products are original equipment parts. Prices subject to change without notice.



Replaces Toro Groundsmaster 220

Parts

Rotary Mower - Model 30620
Brakes



Item No	R&R Part No.	OEM Part No.	Description	Qty Req	Order Quantity
84	R92-1774	21-8330, 92-1774	Seal - Oil Front Axle	1	
85	R21-8320	21-8320	Gasket - Front Axle	1	
86	R21-8180	21-8180, 32-8800, 40453	Bearing - with Cup Front Axle	1	
87	R150315		Brake Assy	2	
88	R24-9180	21-9400, 24-9180	Lever - Parking Brake	2	
89	R21-9460	21-9460, 40474	Retainer	4	
90	R28-0670	28-0670, 40450	Seal - Oil Axle	2	
91	R21-9450	21-9450	Shield - Dust	2	
92	R43-6810	40-2190, 43-6810	Spider - Torque	2	
93	R21-9420	21-9420, 40471	Spring - Return LH	2	
94	R21-9430	21-9430, 40472	Spring - Return RH	2	
95	R21-9440	21-9440, 40473	Spring	2	
96	R43-2690	21-9470, 43-2690	Shoe - Brake	4	
96	R84-8600	84-8590, 84-8600	Shoe - Brake Set/4	1	
97	R21-9380	21-9380, 40457	Nut - Pivot	2	

All original equipment manufacturers names and part numbers are used for identification purposes only, and we are in no way implying that our products are original equipment parts. Prices subject to change without notice.



Replaces Toro Groundsmaster 220

Parts

*Rotary Mower - Model 30620
Brakes*



Item No	R&R Part No.	OEM Part No.	Description	Qty Req	Order Quantity
98	R21-9370	21-9370, 40456	Screw - Adjustment	2	
99	R21-9390	21-9390, 40458	Socket	2	

All original equipment manufacturers names and part numbers are used for identification purposes only, and we are in no way implying that our products are original equipment parts. Prices subject to change without notice.