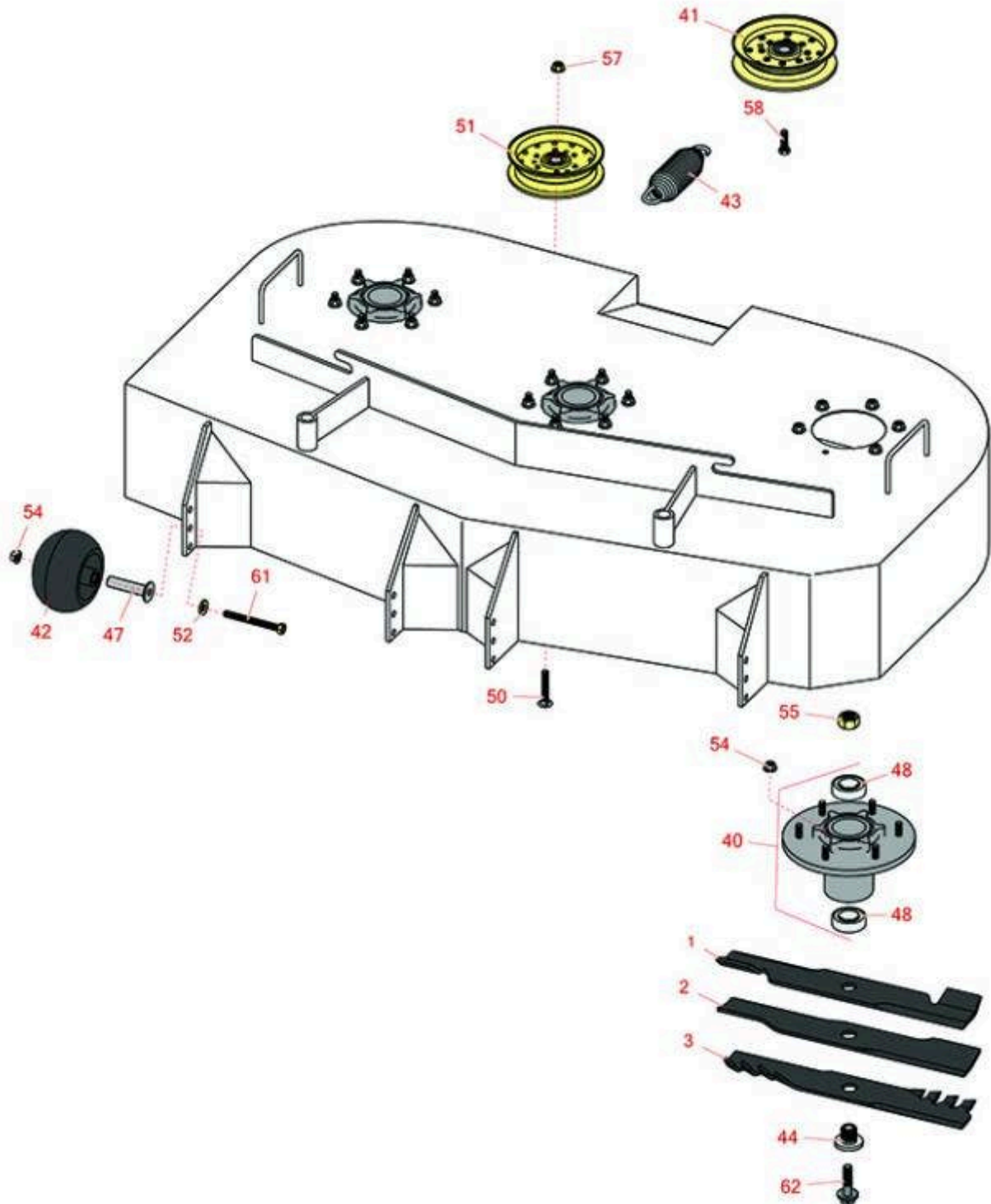




# Replaces Exmark Turf Tracer S-Series Parts

Walk Behind Mower - Model TTS481GKA48300 with 48in  
Deck  
48in Deck



All original equipment manufacturers names and part numbers are used for identification purposes only, and we are in no way implying that our products are original equipment parts. Prices subject to change without notice.



# Replaces Exmark Turf Tracer S-Series Parts

Walk Behind Mower - Model TTS481GKA48300 with 48in  
Deck  
48in Deck



Item No	R&R Part No.	OEM Part No.	Description	Qty Req	Order Quantity
<b>Rotary Blades</b>					
1	<b>R103-6401</b>	103-6401	Mower Blade- Notched 16 1/4	3	
1	<b>RRB3062-1601</b>	103-6401, 103-6401-S	Mower Blade - High-Lift 16.25 x 2.5in x 15/16 Mt Hole	3	
2	<b>R103-6386</b>	103-6386	Mower Blade - 16-1/4 Low Lift	3	
3	<b>RRB4062-1601</b>	116-5177, 116-5177-S	Mower Blade - Mulcher 16.25 x 2.5in x 15/16 Mt Hole	3	
<b>Other Parts Available</b>					
40	<b>R116-3344</b>	116-3344	Spindle Housing Assy	3	
41	<b>R126-9196</b>	126-9196	Idler Pulley - Flat	1	
42	<b>R103-8415</b>	103-8415	Roller - Anti Scalp	4	
43	<b>R116-6317</b>	116-0133, 116-6317	Spring - Extension	1	
44	<b>R103-3037</b>	103-3037	Splined Bushing	3	
47	<b>R116-8131</b>	116-8131	Axle - Roller	4	
48	<b>R116-0720</b>	116-0720	Bearing - Ball - Special Triple Seal	6	
50	<b>R3231-40</b>	3231-40	Bolt - Carriage 3/8-16 x 2 1/4	2	
51	<b>R116-4669</b>	116-4669	Idler Pulley - Flat	1	
<i>Tech Note: Fits 2018 and earlier years:</i>					
52	<b>R98-5975</b>	98-5975	Washer - Belleville	4	
54	<b>R104-8301</b>	104-8301, 109-6658	Locknut - 3/8-16 Nylon Flanged	22	
55	<b>R116-7306</b>	116-7306	Hex Nut - 3/4-16 with Nyloc	3	

All original equipment manufacturers names and part numbers are used for identification purposes only, and we are in no way implying that our products are original equipment parts. Prices subject to change without notice.



# Replaces Exmark Turf Tracer S-Series Parts

*Walk Behind Mower - Model TTS481GKA48300 with 48in  
Deck  
48in Deck*



Item No	R&R Part No.	OEM Part No.	Description	Qty Req	Order Quantity
57	<b>R32128-19</b>	104-8301, 32128-19	Locknut - 3/8-16 Flanged Top Lock	2	
58	<b>R400264</b>	323-29, 323-7	Bolt - Hex HD 3/8-16 x 1-1/4	1	
61	<b>R116-9362</b>	116-9362	Bolt - Hex HD 3/8-16 x 3 3/4 GR8 YZ	4	
62	<b>R109-9220</b>	109-9220	Bolt - Sems 1/2-20	3	

All original equipment manufacturers names and part numbers are used for identification purposes only, and we are in no way implying that our products are original equipment parts. Prices subject to change without notice.